



Distributor of Molex Connector Corporation: Excellent Integrated System Limited
Datasheet of 0836119015 - D-Sub Connector Plug, Male Pins 9 Position Panel Mount, Through Hole, Right Angle Solder

Contact us: sales@integrated-circuit.com Website: www.integrated-circuit.com

Excellent Integrated System Limited

Stocking Distributor

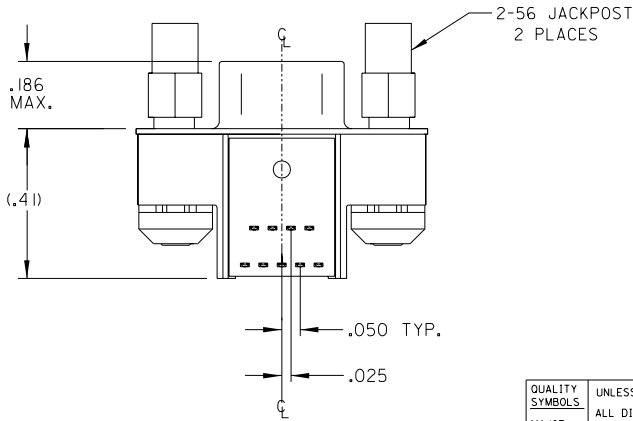
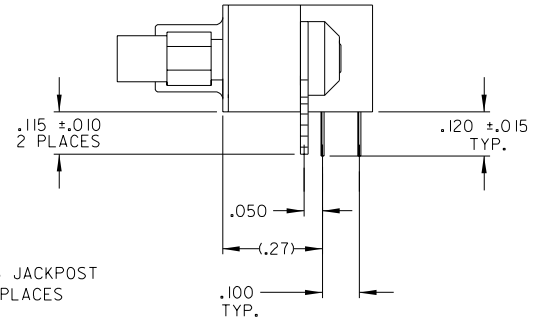
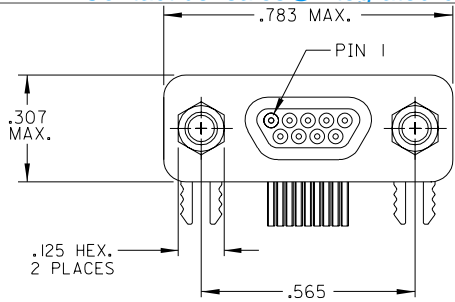
Click to view price, real time Inventory, Delivery & Lifecycle Information:

[Molex Connector Corporation](#)
[0836119015](#)

For any questions, you can email us directly:
sales@integrated-circuit.com

Contact us: sales@integrated-circuit.com Website: www.integrated-circuit.com

REV	DATE	ECN NO.	APPVD BY	REL BY
A	9DEC98	UM9-0217	FVW	DLU
		UM9-0412		



2. MARKING: NONE.
 1. REFER TO PS-83421-9000 FOR PRODUCT SPECIFICATION.
 NOTES: UNLESS OTHERWISE SPECIFIED.

QUALITY SYMBOLS MAJOR = CRITICAL = SPC =	UNLESS SPECIFIED: ALL DIMENSIONS IN INCHES	SCALE NONE DWG SIZE B	THIRD ANGLE PROJECTION	REVISE ON CAD ONLY	
	GENERAL TOLERANCES: 3 PLACE ±.005 2 PLACE ±.010 ANGULAR ± 2°	DRAWN BY & DATE D.URBACH 8DEC98 CHECKED BY & DATE	TITLE: COMMERCIAL MICRO-D CONNECTOR, PLUG, SIZE 9, RIGHT ANGLE		
	Uti-Mate CAGE CODE 58967	APPROVED BY & DATE	MOLEX INCORPORATED Uti-Mate, Inc. Orange, CA 92868		
		CAD FILENAME 36119015.S99	PART NO. 83611-9015	DRAWING NO. SD-83611-9015	SHEET NO. 1 OF 2 REV B

THIS DRAWING CONTAINS INFORMATION THAT IS PROPRIETARY TO MOLEX INCORPORATED AND SHOULD NOT BE USED WITHOUT WRITTEN PERMISSION.