



**Distributor of Molex Connector Corporation: Excellent Integrated System Limited**  
Datasheet of 0836129024 - D-Sub Connector Plug, Male Pins 15 Position Panel Mount,  
Through Hole Solder

Contact us: [sales@integrated-circuit.com](mailto:sales@integrated-circuit.com) Website: [www.integrated-circuit.com](http://www.integrated-circuit.com)

---

## **Excellent Integrated System Limited**

Stocking Distributor

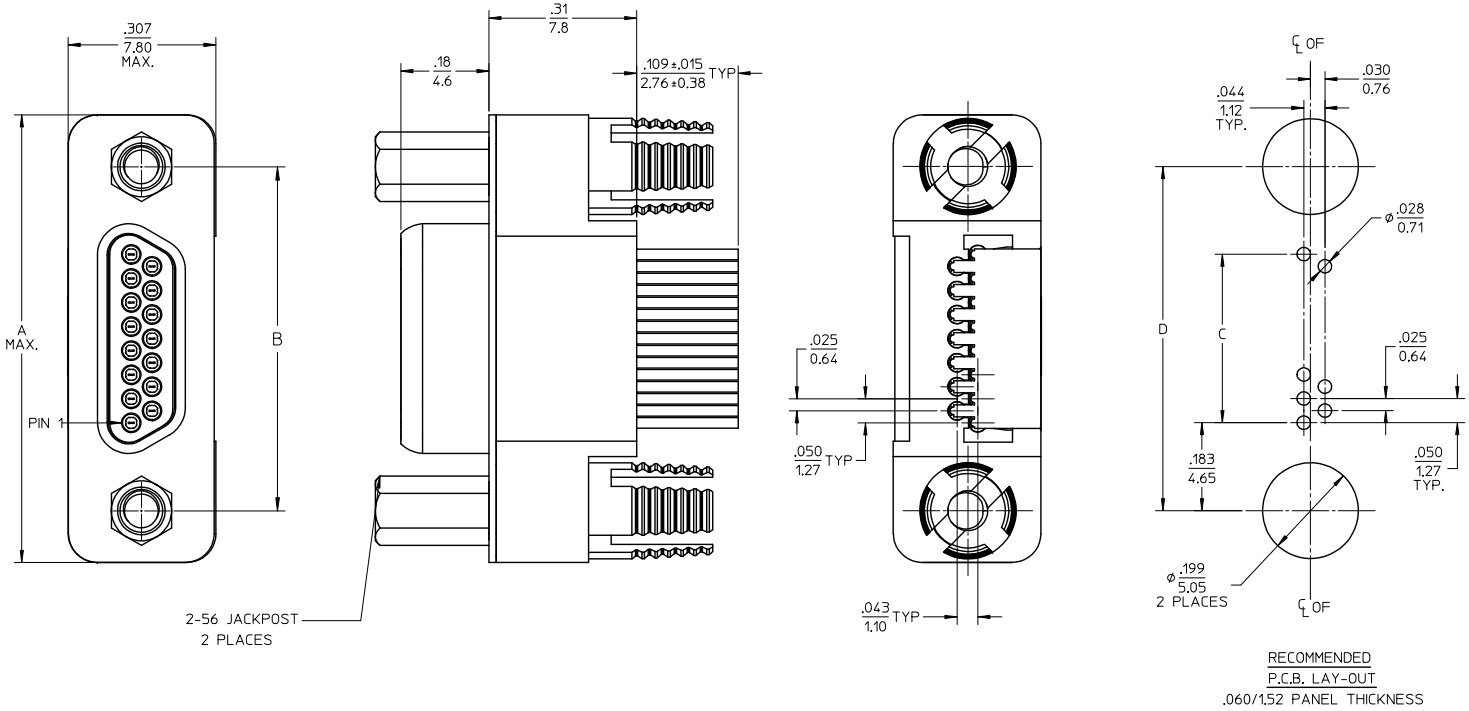
Click to view price, real time Inventory, Delivery & Lifecycle Information:

[Molex Connector Corporation](#)  
[0836129024](#)

For any questions, you can email us directly:  
[sales@integrated-circuit.com](mailto:sales@integrated-circuit.com)

Contact us: sales@integrated-circuit.com Website: www.integrated-circuit.com

PART NUMBER	SIZE	A MAX.	B NOM.	C REF.	D NOM.
836129024	15	.935	.715	.350	.715



2. RoHS COMPLIANT  
 1. REFER TO PS-83421-9000 FOR PRODUCT SPECIFICATION.  
 NOTES: UNLESS OTHERWISE SPECIFIED.

REV	DESCRIPTION	QUALITY SYMBOLS	GENERAL TOLERANCES (UNLESS SPECIFIED)		DIMENSION STYLE		SCALE	DESIGN UNITS	THIRD ANGLE PROJECTION
			mm	INCH	IN/MM	DATE			
1	UPDATED JACKPOSTS	▽=0	4 PLACES ± ---	± ---	D. URBACH	230CT00	5:1	INCH	CONN.COMM-D.PLUG.VERT JACKPOST,SIZE 15
2	EC NO: IPG2014-1899	▽=0	3 PLACES ± ---	± .005	D. URBACH	230CT00			MOLEX INCORPORATED
3	CHKD: TIDPRMARDEN		2 PLACES ± 0.13	± .010	D. URBACH	230CT00			
4	APPR: BINGODMAN		1 PLACE ± 0.25	± ---	D. URBACH	230CT00			
			ANGULAR ± 2 °						
			DRAFT WHERE APPLICABLE MUST REMAIN WITHIN DIMENSIONS						
					MATERIAL NO.	SEE CHART			
					DOCUMENT NO.	SD-83612-9024			
					SHEET NO.	1 OF 1			