



Distributor of Molex Connector Corporation: Excellent Integrated System Limited
Datasheet of 0836149018 - D-Sub Connector Plug, Male Pins 25 Position Panel Mount,
Through Hole, Right Angle Solder

Contact us: sales@integrated-circuit.com Website: www.integrated-circuit.com

Excellent Integrated System Limited

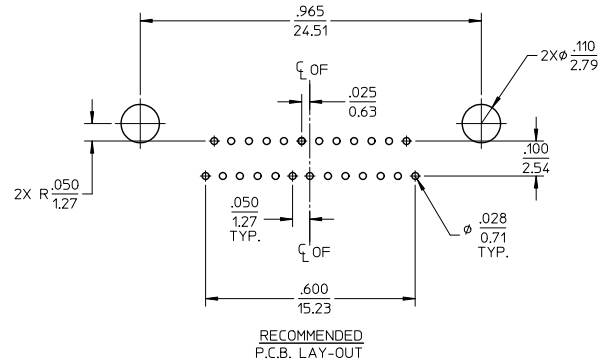
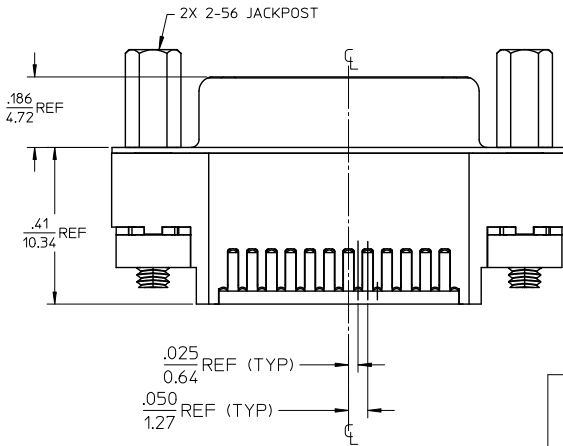
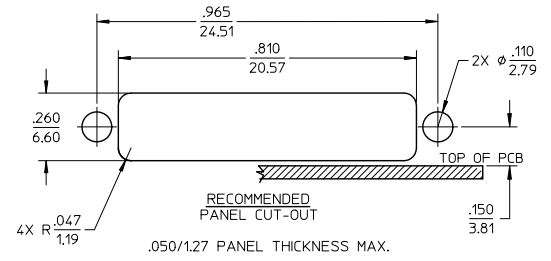
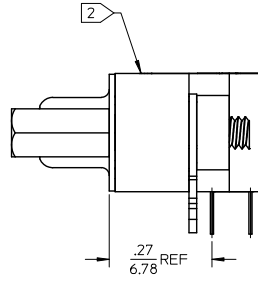
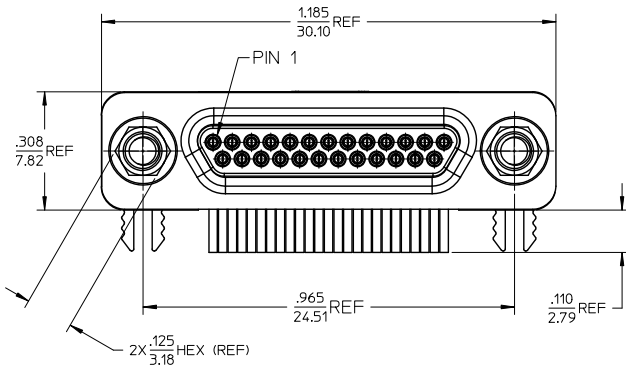
Stocking Distributor

Click to view price, real time Inventory, Delivery & Lifecycle Information:

[Molex Connector Corporation](#)
[0836149018](#)

For any questions, you can email us directly:
sales@integrated-circuit.com

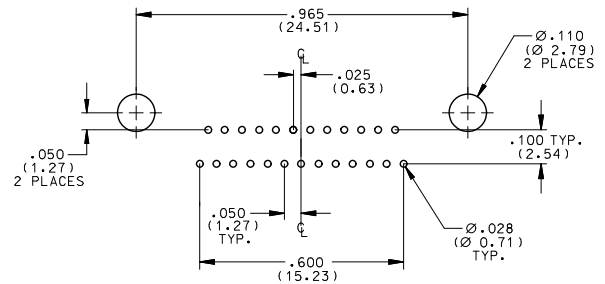
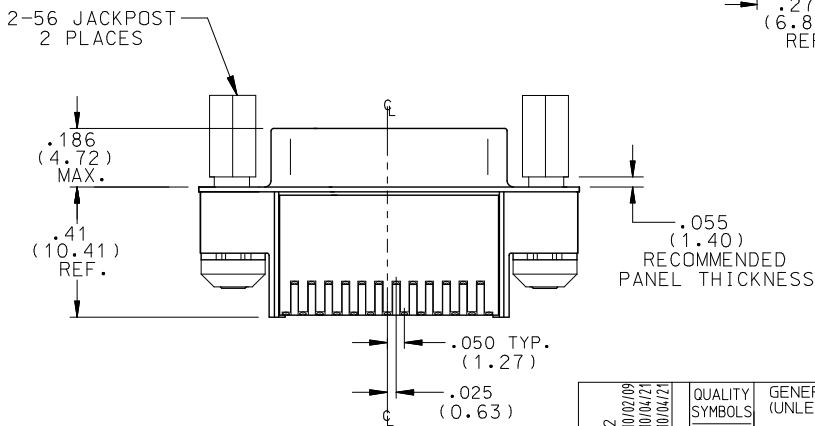
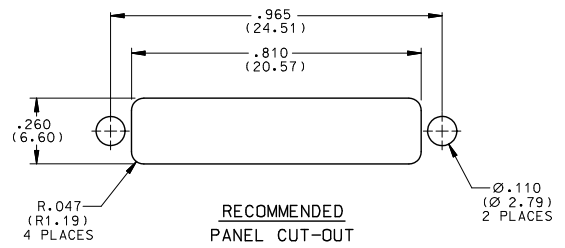
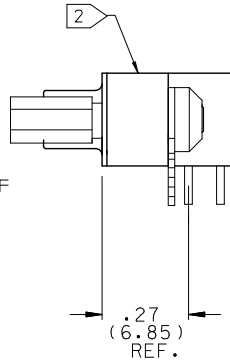
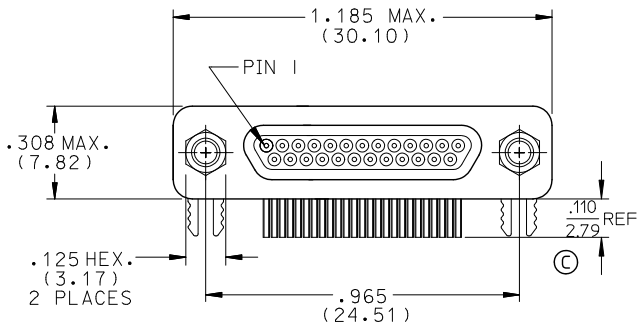
Contact us: sales@integrated-circuit.com Website: www.integrated-circuit.com



- NOTES:
 1. REFER TO PS-83421-9000 FOR PRODUCT SPEC.
 2. DATE CODE AREA.
 3. TORQUE JACKPOST TO 2.5 +1-0 IN/LBS
 4. ROHS COMPLIANT.

REDRAWN EC NO: WNA2011-0541 DRAWN BY: JPMURPHY CHKD: JPMURPHY APPR: JPMURPHY 2011/05/09 2011/08/13	QUALITY SYMBOLS ▽=0 ▽=0	GENERAL TOLERANCES (UNLESS SPECIFIED)		DIMENSION STYLE IN/MM		SCALE 4:1	DESIGN UNITS INCH	THIRD ANGLE PROJECTION
		4 PLACES ±--- ±--- 3 PLACES ±--- ±--- 2 PLACES ±--- ±--- 1 PLACE ±--- ±--- ANGULAR ±---°	mm INCH ±--- ±--- ±--- ±--- ±--- ±--- ±--- ±---	DRAWN BY AW	DATE 22/01/01	TITLE COMM-D, PLG, RT ANG SIZE 25	MOLEX INCORPORATED	SHEET NO. 1 OF 1
DRAFT WHERE APPLICABLE MUST REMAIN WITHIN DIMENSIONS	MATERIAL NO. 836149018	DOCUMENT NO. SD-83614-9018	THIS DRAWING CONTAINS INFORMATION THAT IS PROPRIETARY TO MOLEX INCORPORATED AND SHOULD NOT BE USED WITHOUT WRITTEN PERMISSION					

REV	DATE	ECN NO.	APPVD BY	REL BY
A	22JAN01	UM2001-0222		
B	01MAY01	UM2001-0284		



NOTES:
 1. REFER R0 PS-83421-9000 FOR PRODUCT SPEC
 2. DATE CODE AREA.
 3. ROHS COMPLIANT

REV	DESCRIPTION	QUALITY SYMBOLS	GENERAL TOLERANCES (UNLESS SPECIFIED)		DIMENSION STYLE	SCALE	DESIGN UNITS	THIRD ANGLE PROJECTION
			mm	INCH				
REV PIN LEN	EC NO: WNA2010-0482	2010/02/09	4 PLACES	±---	IN/MM			
DRW: RUPERT	2010/04/21	2010/02/09	3 PLACES	±---				
CHK: B. RUPERT	2010/04/21	2010/02/09	2 PLACES	±---				
APP: J. MURPHY	2010/04/21	2010/02/09	1 PLACE	±---				
			ANGULAR	±---				
DRAFT WHERE APPLICABLE MUST REMAIN WITHIN DIMENSIONS								
					MATERIAL NO.	DOCUMENT NO.	SHEET NO.	
					836149018	SD-83614-9018	1 OF 1	
THIS DRAWING CONTAINS INFORMATION THAT IS PROPRIETARY TO MOLEX INCORPORATED AND SHOULD NOT BE USED WITHOUT WRITTEN PERMISSION								