

Excellent Integrated System Limited

Stocking Distributor

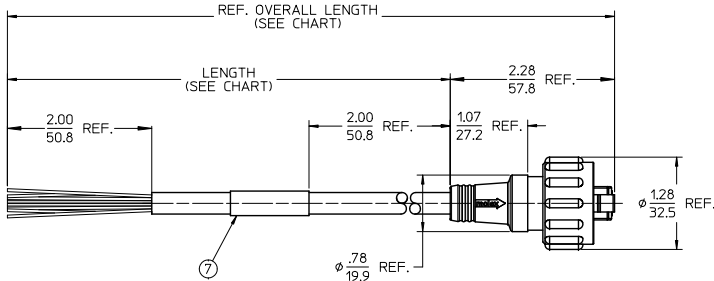
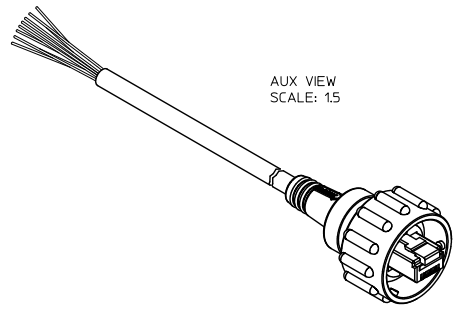
Click to view price, real time Inventory, Delivery & Lifecycle Information:

[Molex Connector Corporation](#)
[0847023020](#)

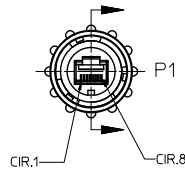
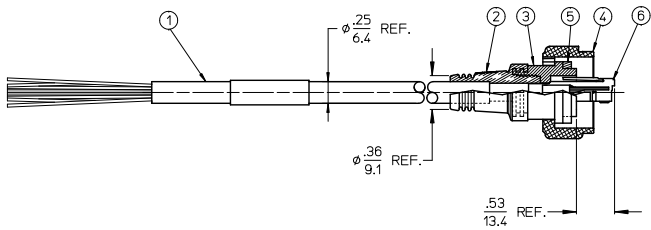
For any questions, you can email us directly:

sales@integrated-circuit.com

MATERIAL NO.	FINISHED LENGTH	REF. OVERALL LENGTH
847023001	1'0" +1/4"-0 [.3M +6.4mm-0]	1' 2.3" (.36M)
847023003	3'0" +3/4"-0 [.9M +19mm-0]	3' 2.3" (.97M)
847023006	6'0" +1 1/2"-0 [1.8M +38mm-0]	6' 2.3" (1.9M)
847023009	9' 0" +2 1/2"-0 [2.74M +64mm -0]	9' 2.3" (2.8M)
847023012	12' 0" +3"-0 [3.7M +76mm-0]	12' 2.3" (3.7M)
847023020	20' 0" +5"-0 [6.1M +127mm-0]	20' 2.3" (6.2M)
847023050	50' 0" +12 1/2"-0 [15.2M +318mm-0]	50' 2.3" (15.3M)
847023100	100' 0" +25"-0 [30.5M +635mm-0]	100' 2.3" (30.5M)
847023908	9.57' +.75-0 [243mm +19-0]	11.85' (300.9mm)



- NOTES:
1. MATERIAL: SEE TABLE
 2. FINISHES: SEE TABLE
 3. PRODUCT SPECIFICATION: PPS.84.006
 4. MATES WITH BAYONET STYLE RJ-45 JACK ASSEMBLIES
 5. CABLE IS UL RATED TYPE MPR/CMR
 6. COUPLING RING AND HOLDER MEET UL 746C/UV
 7. ASSEMBLY IS RoHS COMPLIANT.



	P1
WHITE-ORANGE	1
ORANGE	2
WHITE-GREEN	3
BLUE	4
WHITE-BLUE	5
GREEN	6
WHITE-BROWN	7
BROWN	8

ITEM	QTY	DESCRIPTION	MATERIAL	FINISH
7	1	WRAP LABEL	PLASTIC FILM	BLACK/YELLOW
6	1	RJ-45 PLUG, SHIELDED	PER VENDOR SPEC.	GOLD PL. CONTACTS
5	1	GASKET SEAL	NITRILE	BLACK
4	1	RJ-45 COUPLING RING	POLYESTER	BLACK
3	1	RJ-45 HOLDER	POLYESTER	BLACK
2	1	OVERMOLD BODY	PVC	BLACK
1	1	CABLE, UTP, 4P, 24 AWG, CAT 6	PVC JACKET	GRAY

CABLE WAS BLACK EC NO: WNA2012-0771 DRINKSTONE 2011/09/23 CHKDY. DU 2011/09/26 APPR: JIMURPHY 2012/01/24	QUALITY SYMBOLS ▽=0 ▽=0	GENERAL TOLERANCES (UNLESS SPECIFIED) mm INCH 4 PLACES ± --- ± --- 3 PLACES ± --- ± --- 2 PLACES ± --- ± .01 1 PLACE ± 0.25 ± --- ANGULAR ± 1/2°	DIMENSION STYLE IN/MM DRAWN BY DATE SGILBERT 2003/08/15 CHECKED BY DATE PWALTZ 2003/08/15 APPROVED BY DATE GROBERTSON 2003/08/15	SCALE 1:1 DESIGN UNITS INCH THIRD ANGLE PROJECTION	TITLE CORD ASSEMBLY, RJ-45 MALE BAYONET, SNGL ENDED
		DRAFT WHERE APPLICABLE MUST REMAIN WITHIN DIMENSIONS	SEE CHART	MATERIAL NO. SD-84702-003 MOLEX INCORPORATED	SHEET NO. 1 OF 1
		THIS DRAWING CONTAINS INFORMATION THAT IS PROPRIETARY TO MOLEX INCORPORATED AND SHOULD NOT BE USED WITHOUT WRITTEN PERMISSION			
		SIZE C			