

Excellent Integrated System Limited

Stocking Distributor

Click to view price, real time Inventory, Delivery & Lifecycle Information:

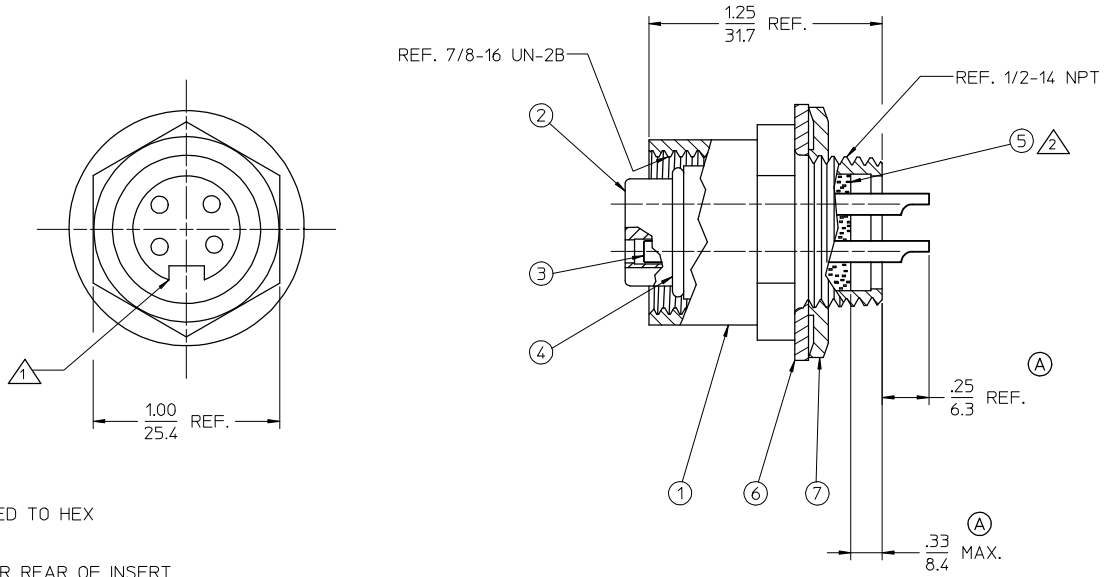
[Molex Connector Corporation](#)
[0848549102](#)

For any questions, you can email us directly:

sales@integrated-circuit.com

10 9 8 7 6 5 4 3 2 84854

REF. THIS DRAWING SUPERSEDES SD-84854-9102 REV-D1



NOTES: (A)

- 1. INSERT KEY IS TO BE ORIENTATED TO HEX AS SHOWN WITHIN 10°
- 2. EPOXY IS TO COMPLETELY COVER REAR OF INSERT TO DIMENSION SHOWN
- 3. RECOMMENDED MOUNTING HOLE DIA: .875/.844 [22.22/21.44]
- 4. ASSEMBLY IS RoHS COMPLIANT BY EXEMPTION (*)

7	1	LOCKNUT, 1/2-14 NPT	STEEL	ZINC PLATED	REDRAWN EC NO: WNA2009-0031 2008/07/17 DRAWN BY: R. STONE CHKD: K. JOZWIK APPR: J. MURPHY 2008/07/18	QUALITY SYMBOLS ▽=0 ▽=0	GENERAL TOLERANCES (UNLESS SPECIFIED)		DIMENSION STYLE IN/MM		SCALE 4:1	DESIGN UNITS INCH	THIRD ANGLE PROJECTION	
6	1	PANEL GASKET	NEPORENE	BLACK			4 PLACES ± .005 ± .005	mm	INCH	DRAWN BY R. STONE	DATE 2008/07/14	TITLE MINI-C, RECEPTACLE FEMALE, 4 POLE SOLDER CUP		
5	A/R	POTTING COMPOUND	EPOXY				3 PLACES ± .005 ± .005			CHECKED BY K. JOZWIK	DATE 2008/07/16	MOLEX INCORPORATED		
4	1	O-RING	BUNA	BLACK			2 PLACES ± .005 ± .010			APPROVED BY J. MURPHY	DATE 2008/07/18	MATERIAL NO. 848549102		
3	4	CONTACT SOCKET	Cu ALLOY *	GOLD			1 PLACE ± 0.3 ± .005			ANGULAR ± 1/2°		DOCUMENT NO. SD-84854-021		
2	2	SOCKET INSERT	PVC	GRAY			DRAFT WHERE APPLICABLE MUST REMAIN WITHIN DIMENSIONS		MATERIAL NO. 848549102		SHEET NO. 1 OF 1			
1	1	RECEPTACLE SHELL	ALUMINUM	BLACK ANODIZE			SIZE B THIS DRAWING CONTAINS INFORMATION THAT IS PROPRIETARY TO MOLEX INCORPORATED AND SHOULD NOT BE USED WITHOUT WRITTEN PERMISSION							
ITEM	QTY	DESCRIPTION	MATERIAL	FINISH										

9 8 7 6 5 4 3 2 1