

## Excellent Integrated System Limited

Stocking Distributor

Click to view price, real time Inventory, Delivery & Lifecycle Information:

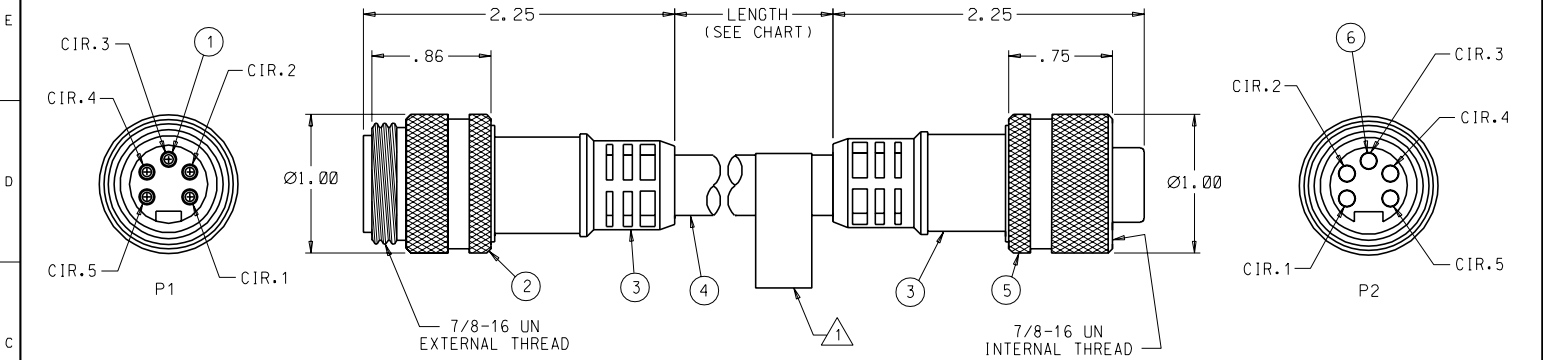
[Molex Connector Corporation](#)  
[0849140235](#)

For any questions, you can email us directly:

[sales@integrated-circuit.com](mailto:sales@integrated-circuit.com)

MOLEX PART NO.	HOLJERON PART NO.	LENGTH (METERS)
849140235	CBL-SKR521-005	0.5
849140236	CBL-SKR521-010	1
849140237	CBL-SKR521-020	2
849140238	CBL-SKR521-040	4
849140239	CBL-SKR521-100	10
849140316	CBL-SKR521-150	15
849140296	CBL-SKR521-030	3

REV	DATE	ECN NO.	APPVD BY	REL BY
C	3-28-00	UM2000-0497		
D	5-5-00	UM2000-0545	FVW	



P1		P2	
1	DRAIN	1	
2	BRN	2	
3	BLU	3	
4	BLK	4	
5	WHT	5	

WIRING DIAGRAM

ITEM	QTY	DESCRIPTION	MATERIAL/FINISH
6	5	CONTACT, SOCKET	COPPER ALLOY/GOLD PLATED
5	1	COUPLING RING, INT. THREAD	STAINLESS STEEL
4	SEE CHART	CABLE, THICK (TRUNK)	PUR JACKET/COLOR:GRAY
3	2	MOLDED BODY	PVC/COLOR:GRAY
2	1	COUPLING RING, EXT. THREAD	STAINLESS STEEL
1	5	CONTACT, PIN	COPPER ALLOY/GOLD PLATED

1 LABEL MARKED WITH HOLJERON PART NO. AND DATE CODE.

NOTES: UNLESS OTHERWISE SPECIFIED

<b>QUALITY SYMBOLS</b> MAJOR = CRITICAL C = SPC S =	UNLESS SPECIFIED: ALL DIMENSIONS IN INCHES GENERAL TOLERANCES: 3 PLACE ±.005 2 PLACE ±.01 ANGULAR ±2°	SCALE --- B DWG SIZE B DRAWN BY & DATE GF 4-6-99 CHECKED BY & DATE DW 4-16-99 APPROVED BY & DATE DW 4-16-99	THIRD ANGLE PROJECTION REVISE ON CAD ONLY
	Uti-Mate CAGE CODE 58967	TITLE: MINI-C, PLUG, MALE/ FEMALE, 5/C, SDS STYLE CABLE	MOLEX INCORPORATED Orange, CA 92868

THIS DRAWING CONTAINS INFORMATION THAT IS PROPRIETARY TO MOLEX INCORPORATED AND SHOULD NOT BE USED WITHOUT WRITTEN PERMISSION.