



**Distributor of Molex Connector Corporation: Excellent Integrated System Limited**  
Datasheet of 0190060001 - Connector Quick Connect Receptacle 18-22 AWG 0.250"  
(6.35mm) Crimp

Contact us: [sales@integrated-circuit.com](mailto:sales@integrated-circuit.com) Website: [www.integrated-circuit.com](http://www.integrated-circuit.com)

---

## **Excellent Integrated System Limited**

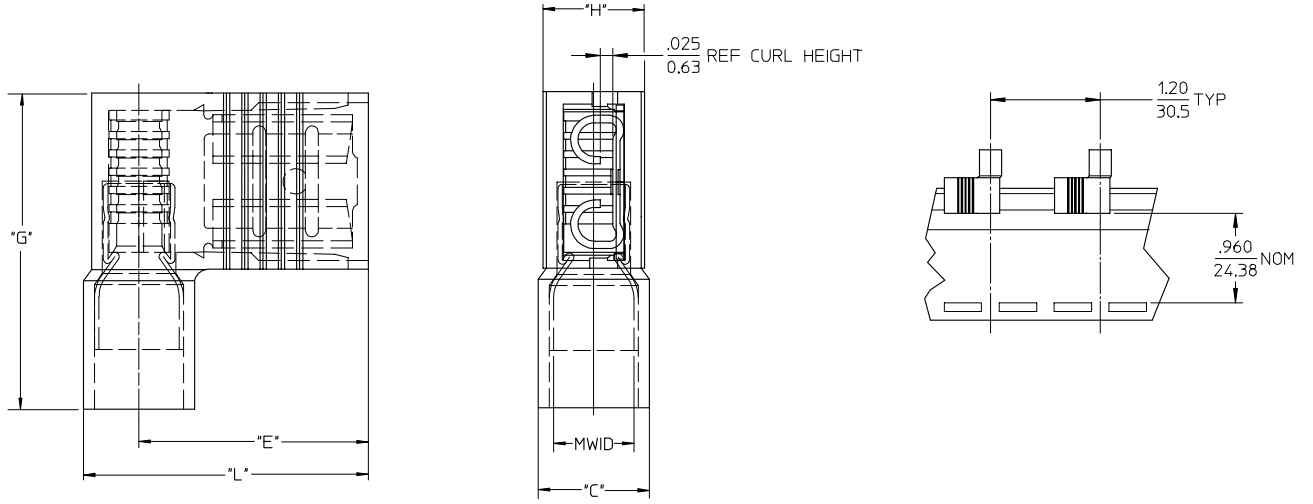
Stocking Distributor

Click to view price, real time Inventory, Delivery & Lifecycle Information:

[Molex Connector Corporation](#)  
[0190060001](#)

For any questions, you can email us directly:  
[sales@integrated-circuit.com](mailto:sales@integrated-circuit.com)

10	9	8	7	6	5	4	3	2	19006				
MATERIAL NO.	ENG. NO.	MATERIAL NO. TAPE MOUNTED	ENG. NO. TAPE MOUNTED	MATERIAL NO. STRIP MOUNTED	ENG. NO. STRIP MOUNTED	AWG	COLOR	MWID	"L"	"E"	"C" DIA	"G"	"H"
190060001	AA-5220	190060003	AA-5220T	190060004	AA-5220Z	22-18	RED	.150/3.81	.620/15.75	.512/13.00	.222/5.64	.690/17.53	.196/4.98
190060011	BB-5221	190060013	BB-5221T	190060014	BB-5221Z	16-14	BLUE	.170/4.32	.500/12.70	.242/6.15	.690/17.53	.196/4.98	
190060019	C-5211	190060020	C-5211T	190060070	C-5211Z	12-10	YELLOW	.245/6.22	.667/16.94	.511/12.98	.311/7.90	.677/17.20	.246/6.25



SALES DRAWING

- NOTES:
1. MATERIAL: BRASS.  
PLATING: ELECTROPLATE TIN.
  2. INSULATION: NYLON.
  3. MWID=MAXIMUM WIRE INSULATION DIA.
  4. ALL DIMENSIONS IN INCHES (MM).

EC NO. ETC2004-0126 DRAWN: DMYRICK 2004/01/06 CHKD: SBEITZEL 2004/01/06 APPR: RDEROSS 2004/01/07	QUALITY SYMBOLS -0 -0	GENERAL TOLERANCES (UNLESS SPECIFIED)		SCALE	DESIGN UNITS	THIRD ANGLE PROJECTION	REVISE ON CAD ONLY
		4 PLACES	± .005	INCH	INCH		
		3 PLACES	± .005	IN/MM	IN/MM		
		2 PLACES	± 0.13				
		1 PLACE	± 0.25				
		ANGULAR ± 1/2°					
		DRAFT WHERE APPLICABLE					
		MUST REMAIN WITHIN DIMENSIONS					
				DRAWN BY	DATE	TITLE	
				DMYRICK	03/12/26	AVIKRIMP FLAG FULLY INSULATED .250 TAB WIDTH	
				CHECKED BY	DATE	MOLEX INCORPORATED	
				SBEITZEL	03/12/26		
				APPROVED BY	DATE	MATERIAL NO.	DOCUMENT NO.
				RDEROSS	03/12/26	(SEE CHART)	SD-19006-001
				THIS DRAWING CONTAINS INFORMATION THAT IS PROPRIETARY TO MOLEX INCORPORATED AND SHOULD NOT BE USED WITHOUT WRITTEN PERMISSION		SHEET NO.	1 OF 1