

## Excellent Integrated System Limited

Stocking Distributor

Click to view price, real time Inventory, Delivery & Lifecycle Information:

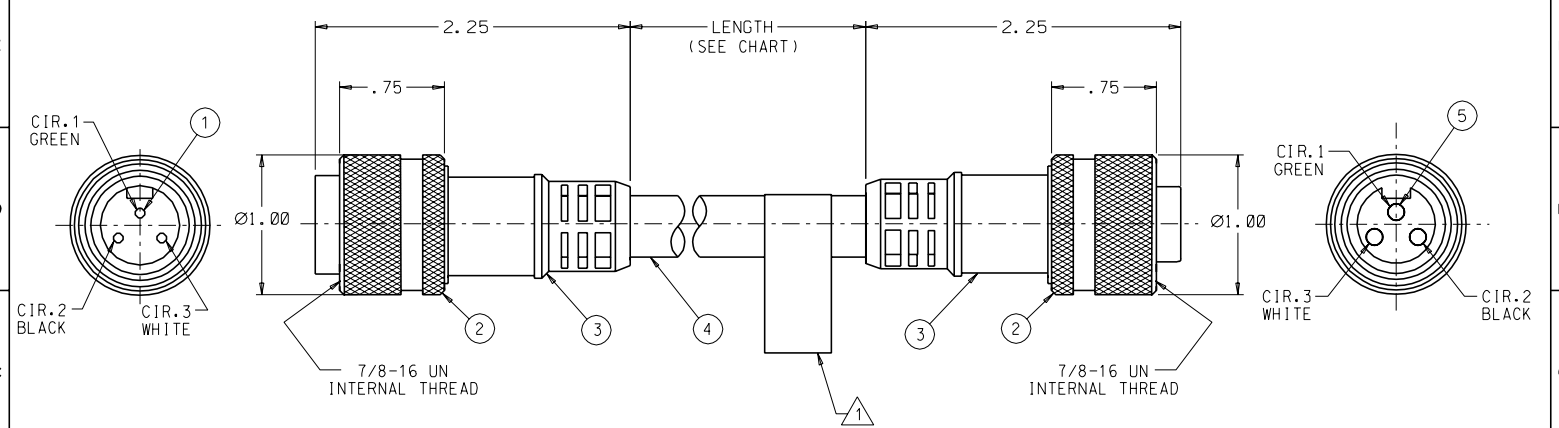
[Molex Connector Corporation](#)  
[0849140315](#)

For any questions, you can email us directly:

[sales@integrated-circuit.com](mailto:sales@integrated-circuit.com)

MOLEX PART NO.	HOLJERON PART NO.	LENGTH (METERS)
849140245	CBL-PDT342-010	1
849140246	CBL-PDT342-020	2
849140247	CBL-PDT342-040	4
849140248	CBL-PDT342-100	10
849140314	CBL-PDT342-005	.5
849140315	CBL-PDT342-030	3

REV	DATE	ECN NO.	APPVD BY	REL BY
A	4-15-99	UM9-0423 DRAWING RELEASE	FWW	
B	3-28-00	UM2000-0497		



ITEM	QTY	DESCRIPTION	MATERIAL/FINISH
5	3	CONTACT, SOCKET	COPPER ALLOY/TIN PLATED
4	SEE CHART	CABLE, 16 AWG	PUR JACKET/COLOR:GRAY
3	2	MOLDED BODY	PVC/COLOR:GRAY
2	2	CPLG. RING, INT. THD.	STAINLESS STEEL
1	3	CONTACT, PIN	COPPER ALLOY/TIN PLATED

1 LABEL MARKED WITH HOLJERON PART NO. AND DATE CODE PER QDP-036.

NOTES: UNLESS OTHERWISE SPECIFIED

<b>QUALITY SYMBOLS</b> MAJOR = CRITICAL = SPC =	UNLESS SPECIFIED: ALL DIMENSIONS IN INCHES GENERAL TOLERANCES: 3 PLACE ±.005 2 PLACE ±.01 ANGULAR ±2°	SCALE --- DWG SIZE B DRAWN BY & DATE GF 4-6-99 CHECKED BY & DATE DW 4-16-99 APPROVED BY & DATE DW 4-16-99	THIRD ANGLE PROJECTION REVISE ON CAD ONLY TITLE: MINI-C. PLUG, MALE/FEMALE, 3/C, 16 AWG, PUR, NEC
	Uitt-Mate CAGE CODE 58967	PART NO. SEE CHART DRAWING NO. SD-84914-0245 SHEET NO. 1 OF 1 REV B	MOLEX INCORPORATED Orange, CA 92868 THIS DRAWING CONTAINS INFORMATION THAT IS PROPRIETARY TO MOLEX INCORPORATED AND SHOULD NOT BE USED WITHOUT WRITTEN PERMISSION.