

Excellent Integrated System Limited

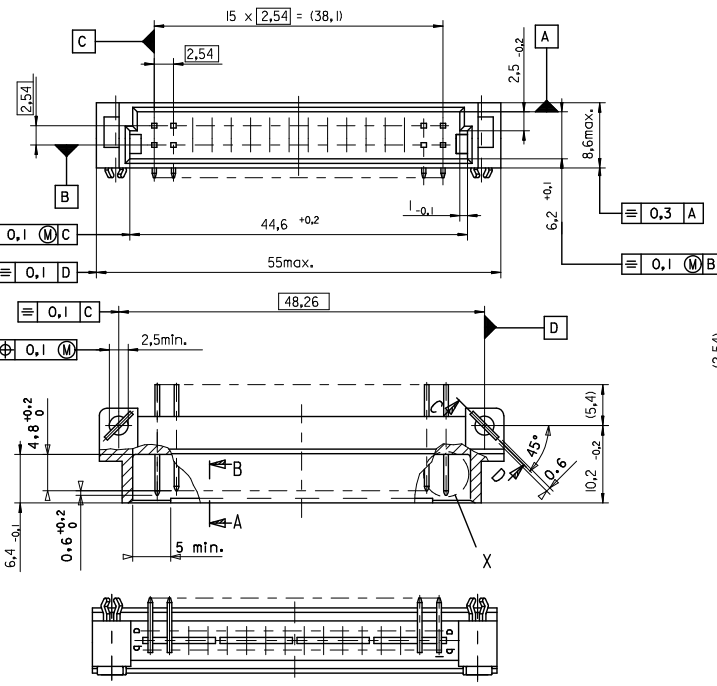
Stocking Distributor

Click to view price, real time Inventory, Delivery & Lifecycle Information:

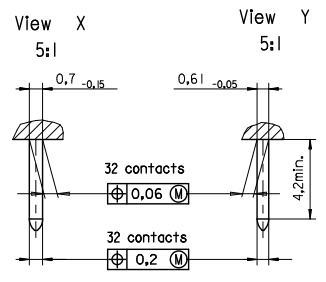
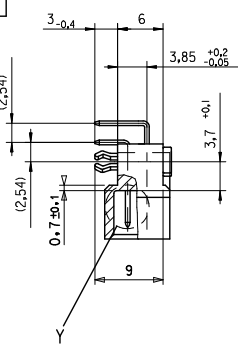
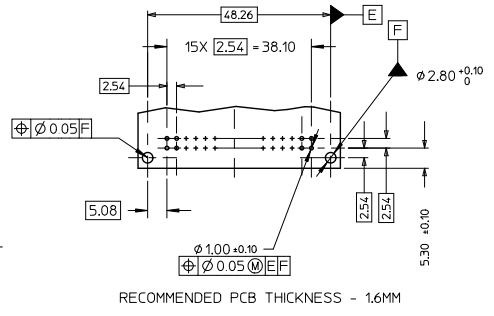
[Molex Connector Corporation](#)
[0850010074](#)

For any questions, you can email us directly:
sales@integrated-circuit.com

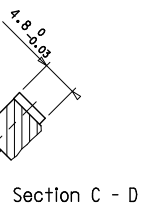
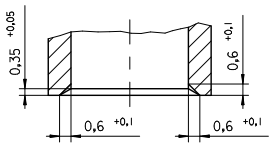
10 9 8 7 6 5 4 3 2 1



RECOMMENDED PCB LAYOUT
COMPONENT SIDE



Section A - B
5:1

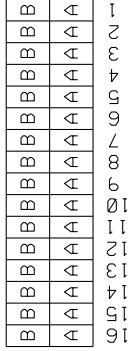


Section C - D

ENTER DESCRIPTION EC NO: 12011-0346 DRAWN: VUTTARKAR CHKD: KRASAD APPR: KRASAD 2011/08/31 2011/09/02	QUALITY SYMBOLS √=0 ∇=0 ∇=0 ∇=0	GENERAL TOLERANCES (UNLESS SPECIFIED)		DIMENSION STYLE MM ONLY		SCALE	DESIGN UNITS	FIRST ANGLE PROJECTION
		mm	INCH	DRAWN BY	DATE	TITLE	METRIC	
		4 PLACES ±---	±---	VUTTARKAR		32POS. MALE CONNECTOR ACC. DIN 41612 STYLE B/2 DIMENSIONS		
		3 PLACES ±---	±---	KRASAD		MOLEX INCORPORATED		
2 PLACES ±---	±---							
1 PLACE ±---	±---							
ANGULAR ±---								
DRAFT WHERE APPLICABLE MUST REMAIN WITHIN DIMENSIONS				MATERIAL NO.		DOCUMENT NO.		SHEET NO.
				---		SDA-85001-0002		1 OF 01
				THIS DRAWING CONTAINS INFORMATION THAT IS PROPRIETARY TO MOLEX INCORPORATED AND SHOULD NOT BE USED WITHOUT WRITTEN PERMISSION				

9 8 7 6 5 4 3 2 1

VIEW ON MATING SIDE



A = 16 STANDARD CONTACTS L=3
 B = 16 STANDARD CONTACTS L=3
 S = 32 TOTAL NUMBER OF CONTACTS

Marking	Standard
Performance level	G2/0 = Contact area level2 / Termination fin
Flux proof	no
Fixing clip	yes
Dimensions	SDA-85001-0002 sht.1
Technical Data	PS-85003-0001

B	G2/0	b1-16
A	G2/0	a1-16
Contact symbol	Perform.	Contact position number

REVISIONS		FOR PREVIOUS REVISIONS SEE MRL LIST	
see ECN No. 2204	96/07/18 Cd		
LTR			
UNLESS OTHERWISE SPECIFIED TOLERANCES: ANGULAR ±2°		DRAWING SIGNATURE	
INCH METRIC		CHK'D BY	
3 PLACE ± .		Ca	
2 PLACE ± .		BY	
1 PLACE ± .		KN	
DRAFT WHERE APPLICABLE MUST REMAIN WITHIN DIMENSIONS		APPRO'D BY	
DESIGN DIMENSION <input type="checkbox"/> MM <input type="checkbox"/> IN.		SIGNATURE	
EQUIVALENT DIMENSION <input type="checkbox"/> MM <input type="checkbox"/> IN.		SCALE	
IF TWO DIMENSIONS ARE SHOWN THE FIRST IS THE DESIGN DIMENSION, LOWER IS SECONDARY		SHEET NO. DATE	
		1 OF 1 95/06/19	
		MOLEX EUROPE	
		PART NO. DWG NO. SDA-85001-0074	
		85001-0074	
		SIZE A	