

Excellent Integrated System Limited

Stocking Distributor

Click to view price, real time Inventory, Delivery & Lifecycle Information:

[Molex Connector Corporation](#)
[0850010438](#)

For any questions, you can email us directly:

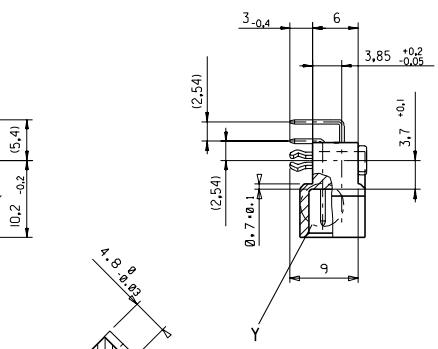
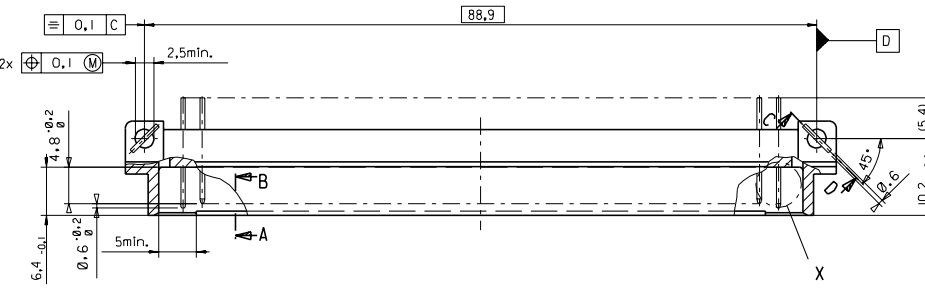
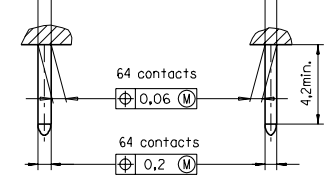
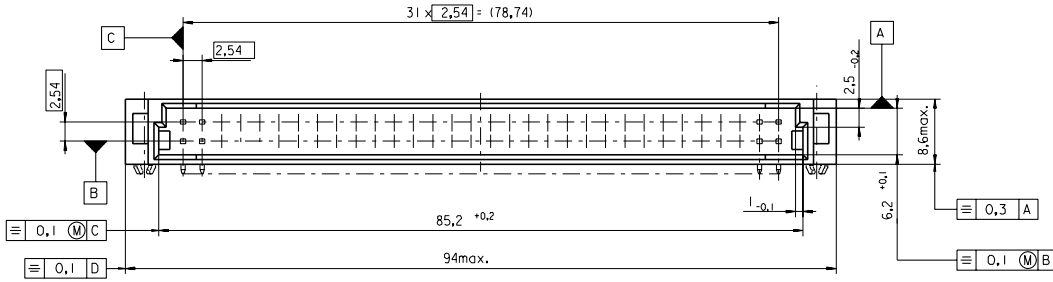
sales@integrated-circuit.com

View X

5:1

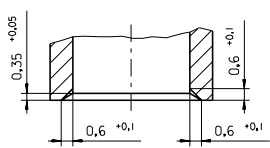
View Y

5:1



Section C - D

Section A - B
5:1



FIRST ANGLE PROJECTION REVISE ONLY ON CAD SYSTEM SH. REV.

FIRST RELEASE see ECN No. 1887	REVISIONS FOR PREVIOUS REVISIONS SEE MR. LIST	UNLESS OTHERWISE SPECIFIED TOLERANCES: ANGULAR ±2°	DRWG BY	SIGN	CAD/CAM PROJECT NAME	85001000	THIS DRAWING CONTAINS INFORMATION THAT IS PROPRIETARY TO MOLEX INC. & SHOULD NOT BE USED WITHOUT WRITTEN PERMISSION	SH. REV.
		3 PLACE ± . ±	INCH	METRIC	CHK'D BY	SIGN	64 pos. Male connector acc. DIN 41612 style B Dimensions	
A	L T R	2 PLACE ± . ±	INCH	METRIC	APP'D BY	SIGN	MOLEX MOLEX EUROPE	SHEET NO. DATE
		1 PLACE ± . ±	INCH	METRIC	SCALE	2:1	PART NO. DWG NO.	1 OF 95/06/06
		DRAFT WHERE APPLICABLE MUST REMAIN WITHIN DIMENSIONS					SIZE	
		DESIGN DIMENSION <input type="checkbox"/> MM <input type="checkbox"/> INL					B	
		EQUIVALENT DIMENSION <input type="checkbox"/> MM <input type="checkbox"/> INL						
		IF TWO DIMENSIONS ARE GIVEN THE UPPER IS THE DESIGN DIMENSION UNLESS OTHERWISE SPECIFIED						

