

## Excellent Integrated System Limited

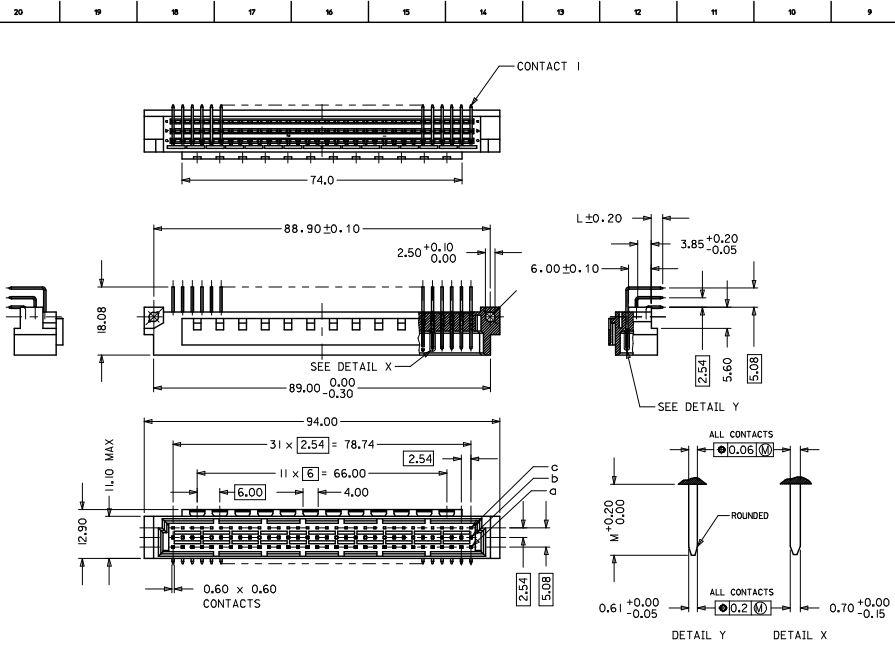
Stocking Distributor

Click to view price, real time Inventory, Delivery & Lifecycle Information:

[Molex Connector Corporation](#)  
[0850031548](#)

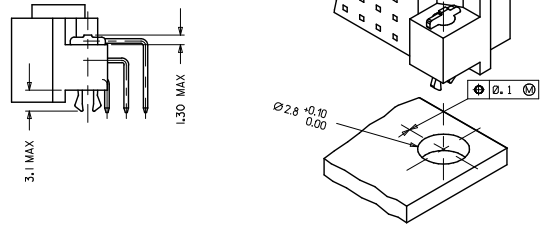
For any questions, you can email us directly:

[sales@integrated-circuit.com](mailto:sales@integrated-circuit.com)



**WITH MOUNTING CLIPS**

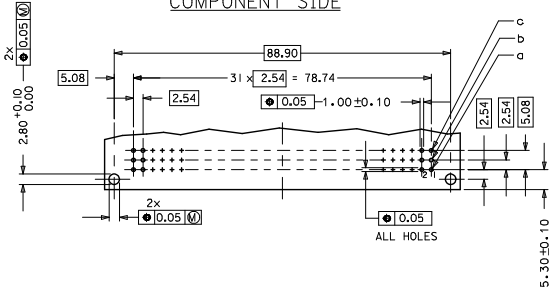
8:1



**NOTES:**

- 1) MATERIALS: THERMOPLASTIC POLYESTER, GLASS FILLED, UL94V-0  
COLOUR: PEBBLE GREY RAL 7032  
TERMINAL - BRASS  
MOUNTING CLIP: STEEL  
2) FINISH: CONTACT AREA
1. PERFORMANCE LEVEL 1: SELECTIVE GOLD (Au), THICKNESS = 1.1 MICROMETER  
OVER NICKEL, THICKNESS = 125 MICROMETER
2. PERFORMANCE LEVEL 2: SELECTIVE GOLD (Au), THICKNESS = 0.6 MICROMETER  
OVER NICKEL, THICKNESS = 125 MICROMETER
3. PERFORMANCE LEVEL 3: SELECTIVE GOLD (Au), THICKNESS = 0.3 MICROMETER  
OVER NICKEL, THICKNESS = 125 MICROMETER
- TERMINATION AREA : SELECTIVE TIN, THICKNESS = 2.5 MICROMETER  
OVER NICKEL, THICKNESS = 125 MICROMETER OVERALL
- 3) MOUNTING CLIP:-  
TIN (Sn), THICKNESS = 5-10 MICROMETER,  
OVER NICKEL (Ni), THICKNESS = 2.5 MICROMETER
- 4) FOR NON MOUNTING CLIP OPTION, CONNECTOR TO BE SECURED WITH  
RIVETS: 2 TUBULAR RIVETS 2.5 x 0.3 ... DIN 7340  
SCREWS: 2 CHEESEHEAD SCREWS M2.5 x ... DIN 84 AND 2 HEXAGONAL NUTS M2.5 DIN 934
- 5) STANDARD MARKING : MOLEX, MATERIAL NUMBER, BATCH CODE
- 6) CUT FACE OF TIP WITHOUT PLATING PERMITTED
- 7) PRODUCT SPECIFICATION PS : 85003-0001

**RECOMMENDED PCB LAYOUT  
COMPONENT SIDE**



LMFB CONTACTS	4,2
FMLB CONTACTS	5,4
NORMAL CONTACTS	4,8
	M

RoHS COMPLIANT

QUALITY SYMBOLS EC NO: 2007-0172 DRAWN BY: CHOKSINH CHECKED BY: CHOKSINH APPROVED BY: CHOKSINH DATE: 2008/06/19 DATE: 2009/01/22	GENERAL TOLERANCES (UNLESS SPECIFIED)		DIMENSION STYLE		SCALE	DESIGN UNITS	THIRD ANGLE PROJECTION
			MM ONLY		2:1	METRIC	
	4 PLACES ± 0.15		DRAWN BY: SS		DATE: 2001/05/28	TITLE: 96 POS. MALE CONNECTOR	
	3 PLACES ± 0.05		CHECKED BY: GJLOWE		DATE: 2001/05/28	ACC. DIN 41612	
2 PLACES ± 0.1		APPROVED BY: GJLOWE		DATE: 2001/05/28	STYLE C CONTACTS		
1 PLACE ± 0.15		MATERIAL NO.		DOCUMENT NO.	MOLEX INCORPORATED		
ANGULAR ± 2°		DRAWN BY: SS		DATE: 2001/05/28	SD-85003-0001		
DRAFT WHERE APPLICABLE		SEE CHART		SHEET NO. 2 OF 2		SHEET NO. 2 OF 2	
MUST REMAIN WITHIN DIMENSIONS		THIS DRAWING CONTAINS INFORMATION THAT IS PROPRIETARY TO MOLEX INCORPORATED AND SHOULD NOT BE USED WITHOUT WRITTEN PERMISSION					

20 19 18 17 16 15 14 13 12 11 9 8 7 6 5 4 3 2 1

VIEW ON MATING SIDE

○	X	C	C	C	C	C	C	C	C	C	C	C	C	C	C	C	C	C	C	C	C	C	X
△	B	B	B	B	B	B	B	B	B	B	B	B	B	B	B	B	B	B	B	B	B	B	B
○	Z	A	A	A	A	A	A	A	A	A	A	A	A	A	A	A	A	A	A	A	A	A	Z
○	S	1	2	3	4	5	6	7	8	9	10	11	12	13	14	15	16	17	18	19	20	21	22

A = 30 STANDARD CONTACTS L = 3  
 B = 32 STANDARD CONTACTS L = 3  
 C = 30 STANDARD CONTACTS L = 3  
 Z = 2 FMLB CONTACTS +0.6 L = 3  
 X = 2 FMLB CONTACTS +0.6 L = 3  
 S = 96 TOTAL NUMBER OF CONTACTS

MARKING	STANDARD
PERFORMANCE LEVEL	G2/O = CONTACT AREA LEVEL 2 / TERMINATION TIN
FLUX PROOF	NO
FIXING CLIP	NO
DIMENSIONS	SD-85003-0001 SHT 2

X	G2/O	c1, 32
Z	G2/O	a1, 32
C	G2/O	c2-31
B	G2/O	b1-32
A	G2/O	c2-31
CONTACT SYMBOL	PERFORMANCE LEVEL	CONTACT POSITION NUMBER

DES. I. 0206/03/03 DRAWN S. 09/05/02 CHECKED G.L. 09/05/02 APPROVED G.L. 09/05/02 C REV.	QUALITY SYMBOLS MAJOR CRITICAL	GENERAL TOLERANCES UNLESS SPECIFIED DIM. mm INCH 4 PLACES $\pm 0.1$ $\pm 0.004$ 3 PLACES $\pm 0.15$ $\pm 0.006$ 2 PLACES $\pm 0.2$ $\pm 0.008$ 1 PLACE $\pm 0.3$ $\pm 0.012$ ANGULAR: ± * DRAFT WHERE APPLICABLE MUST REMAIN WITHIN DIMENSIONS	SCALE: DESIGN UNITS 50MM (1:1) INCH DRAWN BY & DATE S.S. 16/05/02 CHECKED BY & DATE G.L. 16/05/02 APPROVED BY & DATE G.L. 16/05/02 CAD FILENAME SD-85003-1548.S0	THIRD ANGLE PROJECTION DIMENSIONS: mm ( ) INCH ( ) TITLE: 96 POS MALE CONNECTOR ACCORDING DIN 4162 STYLE C CONTACTS ARRANGEMENT MOLEX INCORPORATED	DIMENSIONS: mm ( ) INCH ( ) SHEET NO. 1 OF 1 SIZE D
	DIMENSIONS: mm ( ) INCH ( ) TITLE: 96 POS MALE CONNECTOR ACCORDING DIN 4162 STYLE C CONTACTS ARRANGEMENT MOLEX INCORPORATED	MATERIAL NO. 85003-1548 DRAWING NO. SD-85003-1548	THIS DRAWING CONTAINS INFORMATION THAT IS PROPRIETARY TO MOLEX INCORPORATED AND SHOULD NOT BE USED WITHOUT WRITTEN PERMISSION.		

19 18 17 16 15 14 13 12 11 10 9 8 7 6 5 4 3 2 1