

## Excellent Integrated System Limited

Stocking Distributor

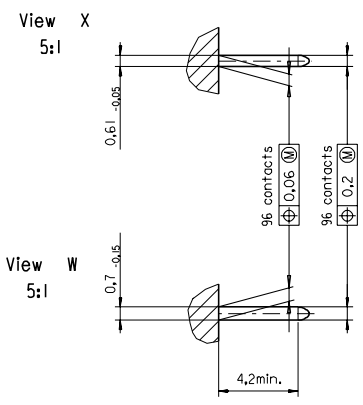
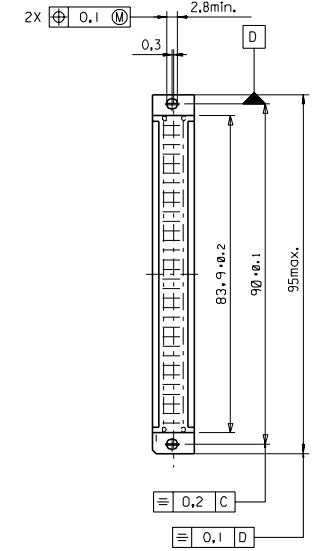
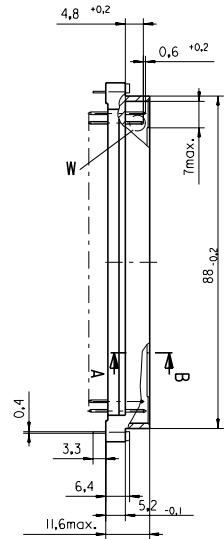
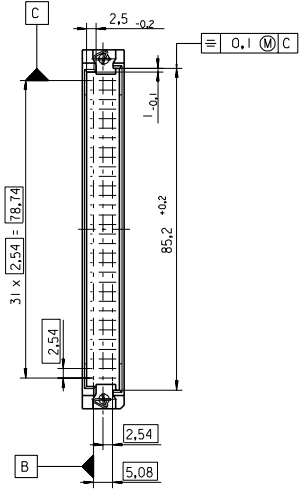
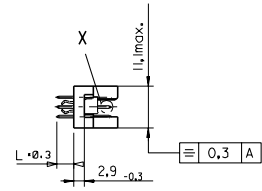
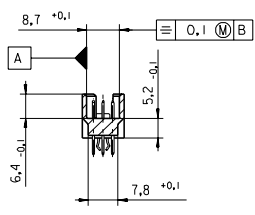
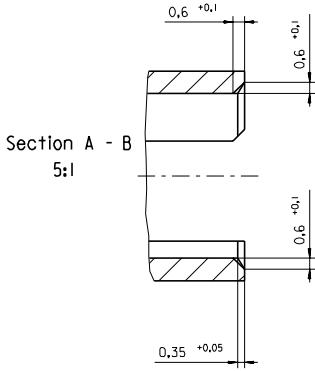
Click to view price, real time Inventory, Delivery & Lifecycle Information:

[Molex Connector Corporation](#)  
[0850130048](#)

For any questions, you can email us directly:

[sales@integrated-circuit.com](mailto:sales@integrated-circuit.com)





FIRST ANGLE PROJECTION		REVISE ONLY ON CAD SYSTEM		SH. REV.
UNLESS OTHERWISE SPECIFIED TOLERANCES: ANGULAR ±2°		DRWG BY	SIGN	CAD/CAM PROJECT NAME
INCH METRIC		CHK'D BY	SIGN	85015000
3 PLACE ±	• ±	APP'D BY	SIGN	811
2 PLACE ±	• ±	THIS DRAWING CONTAINS INFORMATION THAT IS PROPRIETARY TO MOLEX INC. & SHOULD NOT BE USED WITHOUT WRITTEN PERMISSION		
1 PLACE ±	• ±	TITLE		
DRAFT WHERE APPLICABLE MUST REMAIN WITHIN DIMENSIONS		96 pos. Male connector acc. DIN 41612 Style R Dimensions		
DESIGN DIMENSION <input checked="" type="checkbox"/> MM <input type="checkbox"/> IN.		MOLEX MOLEX EUROPE		
EQUIVALENT DIMENSION <input type="checkbox"/> MM <input type="checkbox"/> IN.		SHEET NO. DATE		
SCALE		1 OF 95/06/07		
IF TWO DIMENSIONS ARE SHOWN THE UPPER IS THE DESIGN DIMENSION, LOWER IS SECONDARY		PART NO. DWG NO.		
		SDA-85013-0001		

first release see ECN No. 1887
REVISIONS
FOR PREVIOUS REVISIONS SEE MR. LIST
LTR
A

