

Excellent Integrated System Limited

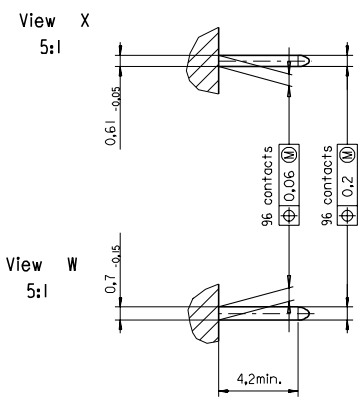
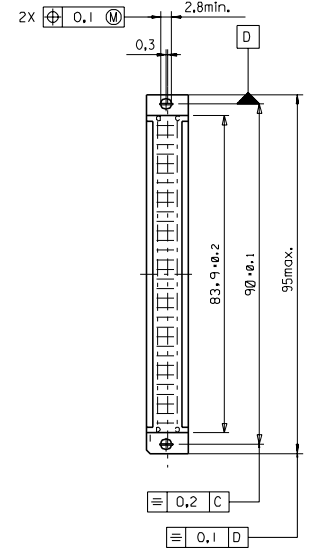
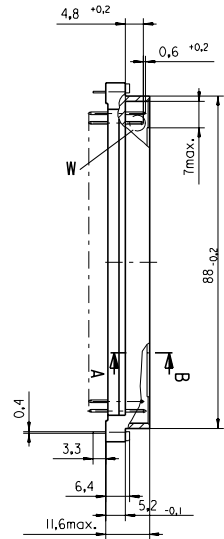
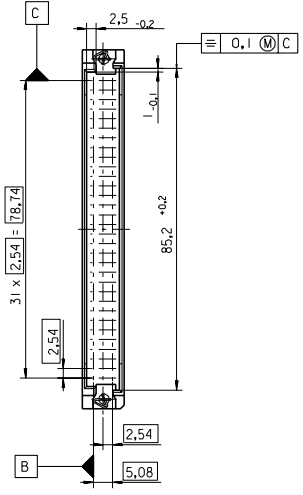
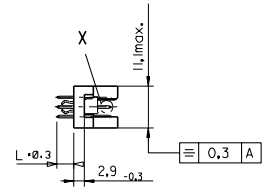
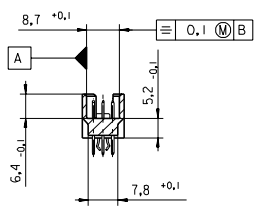
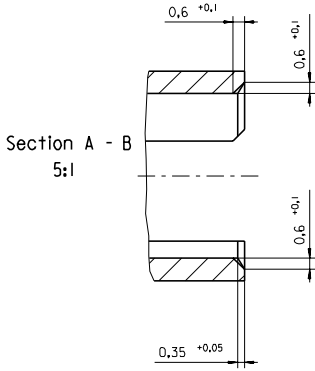
Stocking Distributor

Click to view price, real time Inventory, Delivery & Lifecycle Information:

[Molex Connector Corporation](#)
[0850131938](#)

For any questions, you can email us directly:

sales@integrated-circuit.com



FIRST ANGLE PROJECTION		REVISE ONLY ON CAD SYSTEM		SH. REV.
UNLESS OTHERWISE SPECIFIED TOLERANCES: ANGULAR ±2°		DRWG BY	SIGN	CAD/CAM PROJECT NAME
INCH METRIC		CHK'D BY	SIGN	85015000
3 PLACE ± . ±		APP'D BY	SIGN	611
2 PLACE ± . ±		THIS DRAWING CONTAINS INFORMATION THAT IS PROPRIETARY TO MOLEX INC. & SHOULD NOT BE USED WITHOUT WRITTEN PERMISSION		
1 PLACE ± . ±		TITLE		
DRAFT WHERE APPLICABLE MUST REMAIN WITHIN DIMENSIONS		96 pos. Male connector acc. DIN 41612 Style R Dimensions		
DESIGN DIMENSION <input checked="" type="checkbox"/> MM <input type="checkbox"/> IN.		MOLEX EUROPE		
EQUIVALENT DIMENSION <input type="checkbox"/> MM <input type="checkbox"/> IN.		SHEET NO. DATE		
SCALE		1 OF 95/06/07		
PART NO.		SDA-85013-0001		
DWG. NO.		SIZE		
A		B		

