

Excellent Integrated System Limited

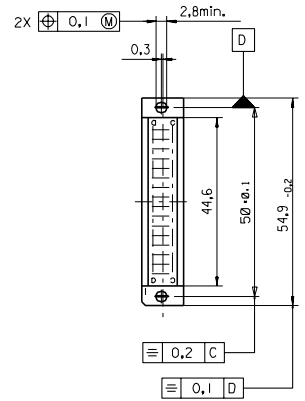
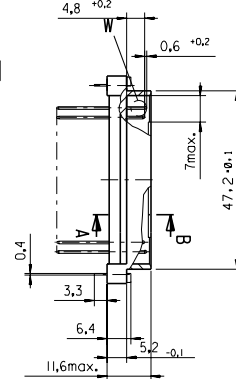
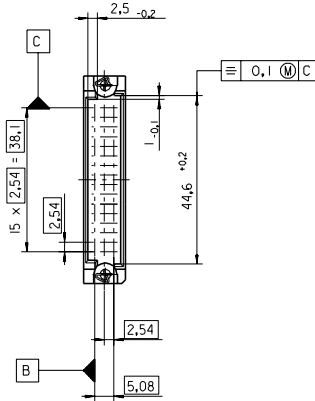
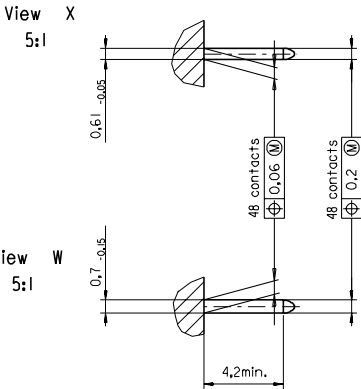
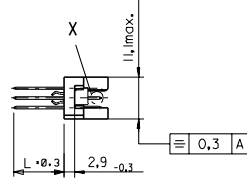
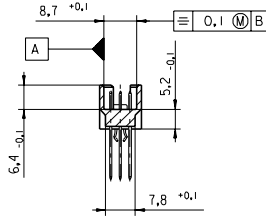
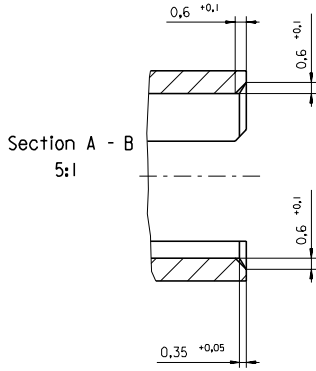
Stocking Distributor

Click to view price, real time Inventory, Delivery & Lifecycle Information:

[Molex Connector Corporation](#)
[0850132000](#)

For any questions, you can email us directly:

sales@integrated-circuit.com



FIRST ANGLE PROJECTION REVISE ONLY ON CAD SYSTEM SH. REV.

first release see ECN No. 1887	REVISIONS FOR PREVIOUS REVISIONS SEE MR. LIST	UNLESS OTHERWISE SPECIFIED TOLERANCES: ANGULAR ±2°		DRWG BY	SIGN	CAD/CAM PROJECT NAME	THIS DRAWING CONTAINS INFORMATION THAT IS PROPRIETARY TO MOLEX INC. & SHOULD NOT BE USED WITHOUT WRITTEN PERMISSION	SH. REV.
		3 PLACE ±	•	±	INCH	METRIC		
D	L	2 PLACE ±	•	±	CHK'D BY	TITLE	48 pos. Male connector acc. DIN 41612 style R/2 Dimensions	SHEET NO. DATE
		1 PLACE ±	•	±	KN			
DRAFT WHERE APPLICABLE MUST REMAIN WITHIN DIMENSIONS		DESIGN DIMENSION	<input checked="" type="checkbox"/> MM	<input type="checkbox"/> IN.	APP'D BY	SCALE	PART NO.	DWG NO.
EQUIVALENT DIMENSION		<input type="checkbox"/> MM	<input type="checkbox"/> IN.				SDA-85013-0002	SIZE
IF TWO DIMENSIONS ARE GIVEN, THE UPPER IS THE DESIGN DIMENSION, LOWER IS SECONDARY								B

