

## Excellent Integrated System Limited

Stocking Distributor

Click to view price, real time Inventory, Delivery & Lifecycle Information:

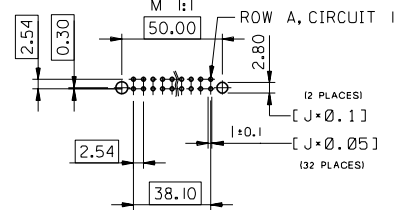
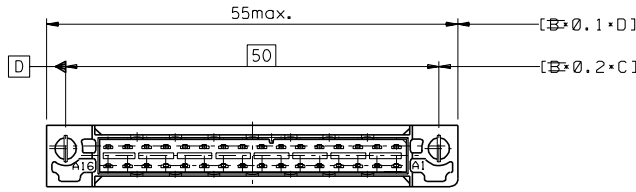
[Molex Connector Corporation](#)  
[0850400000](#)

For any questions, you can email us directly:

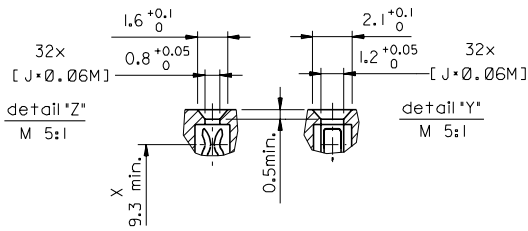
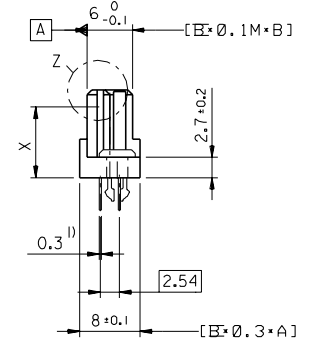
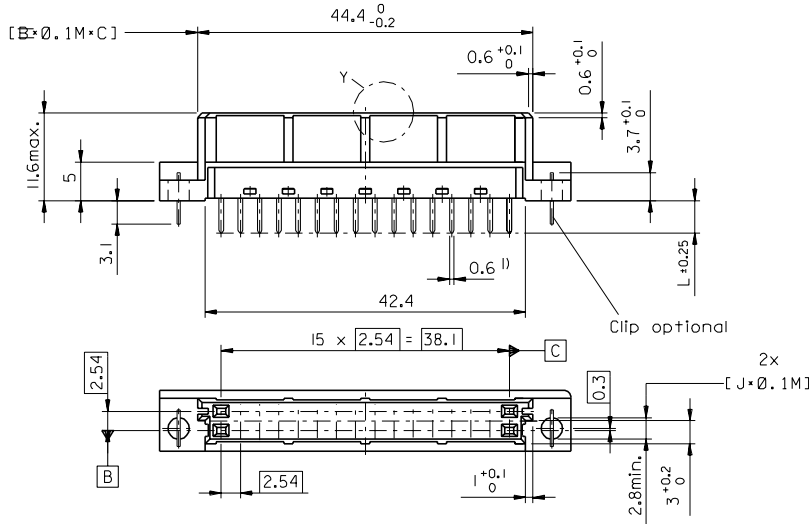
[sales@integrated-circuit.com](mailto:sales@integrated-circuit.com)



PCB LAYOUT: COMPONENT SIDE



l) tails to fit in PC-board layout



FIRST ANGLE PROJECTION

REVISE ONLY ON CAD SYSTEM

ECN	MG 9598-2727
	new fixing clip
L	98-04-14 ca
	REVISIONS
UNLESS OTHERWISE SPECIFIED TOLERANCES: ANGULAR ±2°	
	INCH METRIC
3	PLACE ±
2	PLACE ±
1	PLACE ±
DRAFT WHERE APPLICABLE MUST REMAIN WITHIN DIMENSIONS	
	DESIGN DIMENSION <input checked="" type="checkbox"/> MM <input type="checkbox"/> INL
	EQUIVALENT DIMENSION <input type="checkbox"/> MM <input type="checkbox"/> INL
IF TWO DIMENSIONS ARE GIVEN, THE UPPER IS THE DESIGN DIMENSION, LOWER IS SECONDARY	

DRWG BY	KN	SIGN
CHK'D BY	Ca	SIGN
APP'D BY	FB	SIGN
SCALE	2:1	

CAD/CAM PROJECT NAME	85040000	SH.	REV.
THIS DRAWING CONTAINS INFORMATION THAT IS PROPRIETARY TO MOLEX INC. & SHOULD NOT BE USED WITHOUT WRITTEN PERMISSION			
TITLE			
32pos. Female connector DIN 41612 style B/2, with clip, Dimensions			
MOLEX MOLEX EUROPE		SHEET NO.	DATE
PART NO.		1 OF 1	96/04/23
DWG. NO.		SDA-85040-0002	SIZE
			B