

Excellent Integrated System Limited

Stocking Distributor

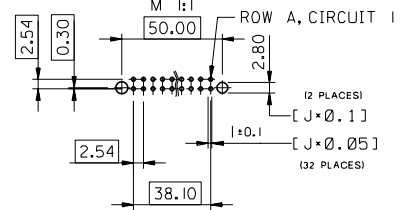
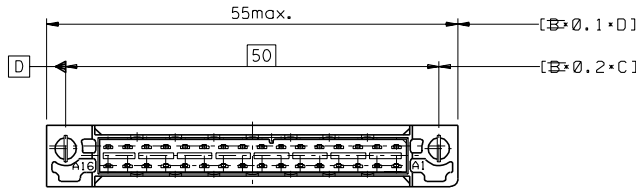
Click to view price, real time Inventory, Delivery & Lifecycle Information:

[Molex Connector Corporation](#)
[0850400713](#)

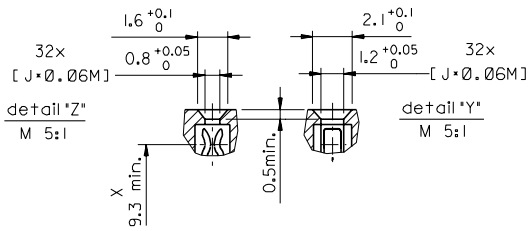
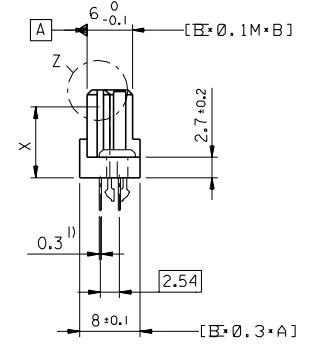
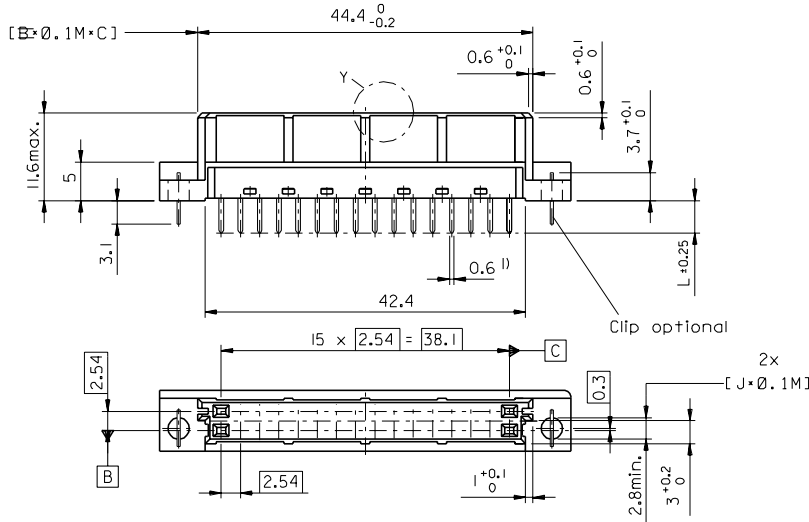
For any questions, you can email us directly:

sales@integrated-circuit.com

PCB LAYOUT: COMPONENT SIDE



l) tails to fit in PC-board layout



FIRST ANGLE PROJECTION

REVISE ONLY ON CAD SYSTEM

ECN	WG 9598-2727	
DESCRIPTION	new fixing clip	
DATE	98-04-14 ca	
REVISIONS	SEE MR. LIST	
1	PLACE ±	±
2	PLACE ±	±
3	PLACE ±	±
DRAFT WHERE APPLICABLE MUST REMAIN WITHIN DIMENSIONS		
DESIGN DIMENSION	<input checked="" type="checkbox"/> MM	<input type="checkbox"/> INL.
EQUIVALENT DIMENSION	<input type="checkbox"/> MM	<input type="checkbox"/> INL.
IF TWO DIMENSIONS ARE GIVEN, THE UPPER IS THE DESIGN DIMENSION, LOWER IS SECONDARY		

DRWG BY	KN	SIGN
CHK'D BY	Ca	SIGN
APP'D BY	FB	SIGN
SCALE	2:1	

CAD/CAM PROJECT NAME	85040000	SH.	REV.
THIS DRAWING CONTAINS INFORMATION THAT IS PROPRIETARY TO MOLEX INC. & SHOULD NOT BE USED WITHOUT WRITTEN PERMISSION			
TITLE	32pos. Female connector DIN 41612 style B/2, with clip, Dimensions		
MOLEX EUROPE		SHEET NO.	DATE
PART NO.		1 OF 1	96/04/23
DWG. NO.		SDA-85040-0002	SIZE
			B