

Excellent Integrated System Limited

Stocking Distributor

Click to view price, real time Inventory, Delivery & Lifecycle Information:

[Molex Connector Corporation](#)
[0190730188](#)

For any questions, you can email us directly:

sales@integrated-circuit.com

MATERIAL NUMBER	ENG. NO.	MATERIAL NUMBER TAPE MOUNTED	ENG. NO.	STUD SIZE	"S" ±.005	"W" MAX	"C" MIN	"L" MAX
190730179	C-830-10	190730180	C-830-10T	10	.198 (5.03)	.540 (13.72)	.393 (9.98)	1.258 (31.95)
190730188	C-830-14	190730190	C-830-14T	14	.265 (6.73)			
190730200	C-830-56	190730201	C-830-56T	56	.328 (8.33)			
190730212	C-836-04	190730213	C-836-04T	04	.119 (3.02)	.292 (7.42)	.306 (7.77)	1.047 (26.59)
190730216	C-836-06	190730218	C-836-06T	06	.146 (3.71)			
190730222	C-836-08	190730224	C-836-08T	08	.173 (4.39)			
190730227	C-840-10	190730228	C-840-10T	10	.198 (5.03)	.602 (15.29)	.466 (11.83)	1.362 (34.59)
190730231	C-840-14	190730232	C-840-14T	14	.265 (6.73)			
190730236	C-840-38	190730237	C-840-38T	38	.390 (9.91)			
190730242	C-840-56	190730243	C-840-56T	56	.328 (8.33)			

DIAGRAM FOR C-830-XX & C-840-XX PARTS

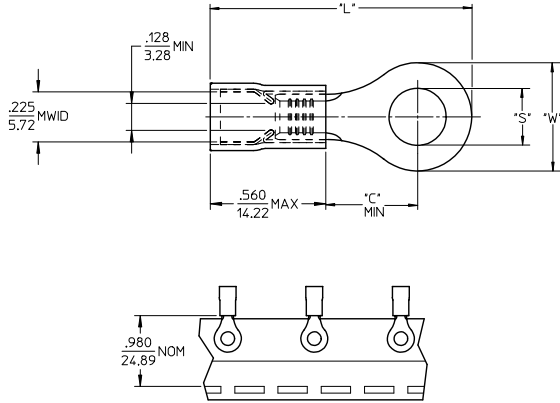
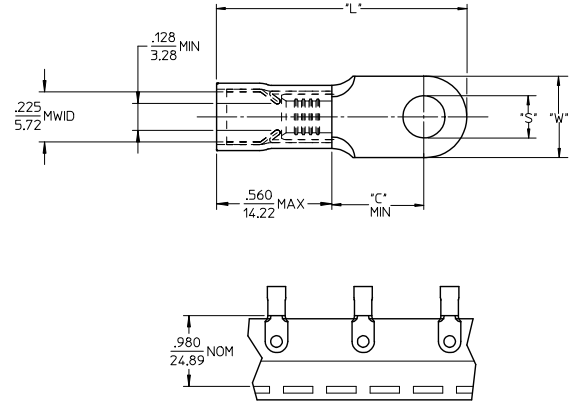


DIAGRAM FOR C-836-XX



SALES DRAWING

NOTES:

- MATERIAL: COPPER (.040/1.02) THICK. PLATING: ELECTROPLATE TIN
- FERRULE: TIN PLATED BRASS
- INSULATION: YELLOW NYLON
- MWID-MAXIMUM WIRE INSULATION DIA.
- ALL DIMENSIONS IN INCHES (MM).
- WIRE SIZE: 12-10 AWG, 4.0-6.0 MM²
- PARTS ARE ROHS COMPLIANT.

ADD 2ND DIAGRAM EC NO: IPG2016-0998 DRAWN BY: JASOT 2016/01/14 CHKD: MALONEIL 2016/01/14 APPR: MALONEIL 2016/01/20 DESCRIPTION:	QUALITY SYMBOLS	GENERAL TOLERANCES (UNLESS SPECIFIED)	DIMENSION STYLE	SCALE	DESIGN UNITS	THIRD ANGLE PROJECTION																																					
	▼=0 ▽=0	<table border="1"> <thead> <tr> <th></th> <th>mm</th> <th>INCH</th> </tr> </thead> <tbody> <tr> <td>4 PLACES</td> <td>±---</td> <td>±---</td> </tr> <tr> <td>3 PLACES</td> <td>±---</td> <td>±.005</td> </tr> <tr> <td>2 PLACES</td> <td>±0.13</td> <td>±.01</td> </tr> <tr> <td>1 PLACE</td> <td>±0.25</td> <td>±---</td> </tr> <tr> <td>0 PLACE</td> <td>±</td> <td>±</td> </tr> </tbody> </table>		mm	INCH	4 PLACES	±---	±---	3 PLACES	±---	±.005	2 PLACES	±0.13	±.01	1 PLACE	±0.25	±---	0 PLACE	±	±	<table border="1"> <thead> <tr> <th>DRAWN BY</th> <th>DATE</th> </tr> </thead> <tbody> <tr> <td>DMYRICK</td> <td>03/12/15</td> </tr> <tr> <th>CHECKED BY</th> <th>DATE</th> </tr> <tr> <td>SBEITZEL</td> <td>03/12/15</td> </tr> <tr> <th>APPROVED BY</th> <th>DATE</th> </tr> <tr> <td>RDEROSS</td> <td>03/12/15</td> </tr> </tbody> </table>	DRAWN BY	DATE	DMYRICK	03/12/15	CHECKED BY	DATE	SBEITZEL	03/12/15	APPROVED BY	DATE	RDEROSS	03/12/15	<table border="1"> <thead> <tr> <th>TITLE</th> </tr> </thead> <tbody> <tr> <td>RING TONGUE TERMINAL AVIKRIMP, 800-SERIES 12-10 AWG AVIKRIMP 12-10</td> </tr> </tbody> </table>	TITLE	RING TONGUE TERMINAL AVIKRIMP, 800-SERIES 12-10 AWG AVIKRIMP 12-10	<table border="1"> <thead> <tr> <th>MATERIAL NO.</th> <th>DOCUMENT NO.</th> <th>SHEET NO.</th> </tr> </thead> <tbody> <tr> <td>ENTER PART</td> <td>SD-19073-008</td> <td>1 OF 00</td> </tr> </tbody> </table>	MATERIAL NO.	DOCUMENT NO.	SHEET NO.	ENTER PART	SD-19073-008	1 OF 00
		mm	INCH																																								
	4 PLACES	±---	±---																																								
3 PLACES	±---	±.005																																									
2 PLACES	±0.13	±.01																																									
1 PLACE	±0.25	±---																																									
0 PLACE	±	±																																									
DRAWN BY	DATE																																										
DMYRICK	03/12/15																																										
CHECKED BY	DATE																																										
SBEITZEL	03/12/15																																										
APPROVED BY	DATE																																										
RDEROSS	03/12/15																																										
TITLE																																											
RING TONGUE TERMINAL AVIKRIMP, 800-SERIES 12-10 AWG AVIKRIMP 12-10																																											
MATERIAL NO.	DOCUMENT NO.	SHEET NO.																																									
ENTER PART	SD-19073-008	1 OF 00																																									
ANGULAR ± 1 °	DRAFT WHERE APPLICABLE MUST REMAIN WITHIN DIMENSIONS	THIS DRAWING CONTAINS INFORMATION THAT IS PROPRIETARY TO MOLEX INCORPORATED AND SHOULD NOT BE USED WITHOUT WRITTEN PERMISSION																																									
REV	A2																																										