

Excellent Integrated System Limited

Stocking Distributor

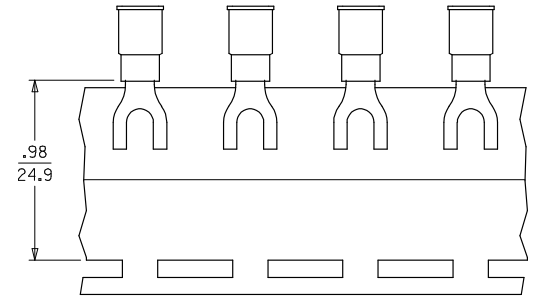
Click to view price, real time Inventory, Delivery & Lifecycle Information:

[Molex Connector Corporation](#)
[19144-0018](#)

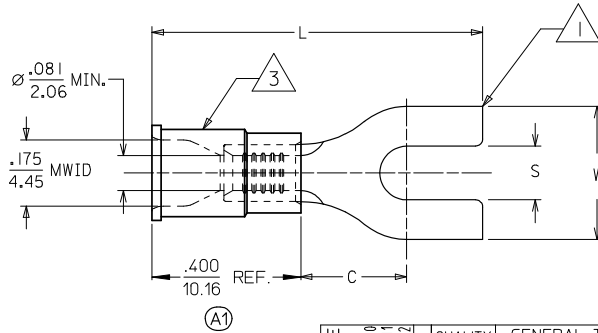
For any questions, you can email us directly:

sales@integrated-circuit.com

MATERIAL NUMBER	ALTERNATE NUMBER	STUD SIZE	"S" ±.005/(0.13)	"W" ±.010/(0.25)	"C" MIN (A1)	"L" MAX (A1)	PACKAGING
I91440013	BB-207-04X	4	.119/(3.02)	.245/(6.22)	.209/(5.31)	.790/(20.07)	LOOSE PIECE
I91440015	BB-207-06X	6	.146/(3.71)	.245/(6.22)	.209/(5.31)	.790/(20.07)	
I91440017	BB-224-04X	4	.119/(3.02)	.295/(7.49)	.211/(5.36)	.789/(20.04)	
I91440018	BB-224-06X	6	.146/(3.71)	.295/(7.49)	.211/(5.36)	.789/(20.04)	
I91440020	BB-224-08X	8	.173/(4.39)	.295/(7.49)	.211/(5.36)	.789/(20.04)	
I91440022	BB-227-06X	6	.146/(3.71)	.362/(9.19)	.269/(6.83)	.912/(23.16)	
I91440024	BB-227-08X	8	.173/(4.39)	.388/(9.85)	.269/(6.83)	.912/(23.16)	TAPE MOUNTED
I91440026	BB-227-10X	10	.198/(5.03)	.388/(9.85)	.269/(6.83)	.912/(23.16)	
I91440014	BB-207-04XT	4	.119/(3.02)	.245/(6.22)	.209/(5.31)	.790/(20.07)	
I91440016	BB-207-06XT	6	.146/(3.71)	.245/(6.22)	.209/(5.31)	.790/(20.07)	
I91440063	BB-224-04XT	4	.119/(3.02)	.295/(7.49)	.211/(5.36)	.789/(20.04)	
I91440019	BB-224-06XT	6	.146/(3.71)	.295/(7.49)	.211/(5.36)	.789/(20.04)	
I91440021	BB-224-08XT	8	.173/(4.39)	.295/(7.49)	.211/(5.36)	.789/(20.04)	
I91440023	BB-227-06XT	6	.146/(3.71)	.362/(9.19)	.269/(6.83)	.912/(23.16)	
I91440025	BB-227-08XT	8	.173/(4.39)	.388/(9.85)	.269/(6.83)	.912/(23.16)	
I91440027	BB-227-10XT	10	.198/(5.03)	.388/(9.85)	.269/(6.83)	.912/(23.16)	



PARTS ON TAPE



CUSTOMER DRAWING

- NOTES:
1. MATERIAL: COPPER .031/(.79) THICK.
 2. PLATING: ELECTRO-TIN.
 3. INSULATION: MOLDED PVC (BLUE)
 4. ALL DIMENSIONS IN INCHES/(MM).
 5. MWID-MAXIMUM WIRE INSULATION DIAMETER.
 6. PART IS ROHS COMPLIANT.

CORRECT TOLERANCE EC NO: WNA2008-0105 DRN: MTHRODHL 2008/03/10 CHKD: JACQUELL 2008/03/11 APPR: JACQUELL 2008/03/12	QUALITY SYMBOLS ▽=0 ▽=0	GENERAL TOLERANCES (UNLESS SPECIFIED)		DIMENSION STYLE IN/MM	SCALE 4:1	DESIGN UNITS INCH	THIRD ANGLE PROJECTION	
		4 PLACES ±.005 ±.005	mm	INCH	DATE	TITLE		
		3 PLACES ±.010 ±.005			HEB 1999/11/12	SPADE TONGUE TERMINAL		
		2 PLACES ±0.13 ±.01			DATE	16-14 AWG		
1 PLACE ±0.25 ±.01			RWD 1999/11/12	INSULKRIMP 200 SERIES				
ANGULAR ±1/2°				APPROVED BY	DATE	Molex MOLEX INCORPORATED		
				RWD 1999/11/12	1999/11/12	MATERIAL NO. DOCUMENT NO.		
DRAFT WHERE APPLICABLE MUST REMAIN WITHIN DIMENSIONS		SEE CHART		SD-19144-001		SHEET NO. 1 OF 1		
		SIZE B		THIS DRAWING CONTAINS INFORMATION THAT IS PROPRIETARY TO MOLEX INCORPORATED AND SHOULD NOT BE USED WITHOUT WRITTEN PERMISSION				