

Excellent Integrated System Limited

Stocking Distributor

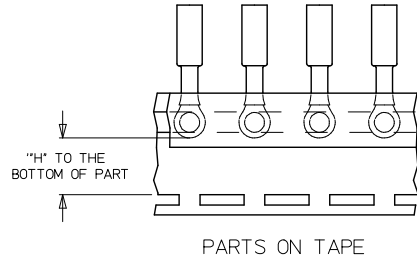
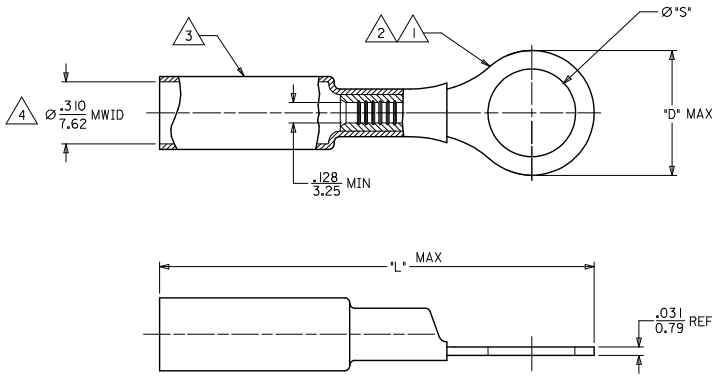
Click to view price, real time Inventory, Delivery & Lifecycle Information:

[Molex Connector Corporation](#)
[19164-0061](#)

For any questions, you can email us directly:

sales@integrated-circuit.com

| MATERIAL NUMBER | ENGINEERING NUMBER | MATERIAL NUMBER ON TAPE | ENGINEERING NUMBER ON TAPE | STUD SIZE | *G* | *D* | *H* | *L* |
|-----------------|--------------------|-------------------------|----------------------------|-----------|------------|----------|------------|---------------|
| | | | | | ±.005/0.03 | MAX | ±.020/0.50 | MAX |
| 191640060 | SC-228-04 | 191640936 | SC-228-04T | #4 | .126/3.20 | .39/9.9 | .469/11.91 | 1.39/35.1 |
| 191640061 | SC-228-06 | 191640937 | SC-228-06T | #6 | .146/3.71 | .39/9.9 | .469/11.91 | 1.39/35.1 |
| 191640062 | SC-228-08 | 191640938 | SC-228-08T | #8 | .173/4.39 | .39/9.9 | .469/11.91 | 1.39/35.1 |
| 191640063 | SC-228-10 | 191640939 | SC-228-10T | #10 | .198/5.03 | .39/9.9 | .469/11.91 | 1.39/35.1 |
| 191640065 | SC-230-10 | 191640316 | SC-230-10T | #10 | .198/5.03 | .54/13.7 | .302/7.67 | 1.55/39.4 |
| 191640066 | SC-230-14 | 191640317 | SC-230-14T | 1/4 | .265/6.73 | .54/13.7 | .302/7.67 | 1.55/39.4 |
| 191640067 | SC-230-56 | 191640318 | SC-230-56T | 5/16 | .328/8.33 | .54/13.7 | .302/7.67 | 1.55/39.4 |
| 191640068 | SC-240-38 | 191640857 | SC-240-38T | 3/8 | .390/9.91 | .60/15.2 | .385/9.78 | 1.65/41.9 (C) |
| 191640058 | SC-201-12 | --- | --- | 1/2 | .515/13.08 | .76/19.3 | --- | 1.87/47.5 |



SALES DRAWING

NOTES:

- 1. TERMINAL MATERIAL: COPPER ALLOY
- 2. FINISH: ELECTRO TIN PLATE.
- 3. INSULATION MATERIAL: HEAT SHRINKABLE TUBING WITH HOTMELT ADHESIVE INNER LINER. COLOR: YELLOW
- 4. MWID = MAXIMUM WIRE INSULATION DIAMETER.
- 5. PARTS ON TAPE DOUBLE SPACED.

| | | | | | | |
|---|---------------------|---------------------------------------|--|------------------------|---------------------------|--|
| CHANGE DIM 155 EC NO: IP6206-0481 DRAWING: JASOT 2015/09/28 CHKD: MALCNETL 2015/09/28 APPR: MALCNETL 2015/10/05 DESCRIPTION REV | QUALITY SYMBOLS | GENERAL TOLERANCES (UNLESS SPECIFIED) | DIMENSION STYLE IN/MM | SCALE --- | DESIGN UNITS INCH | THIRD ANGLE PROJECTION |
| | ▽=0 | 4 PLACES ± --- ± --- | DRAWN BY BENDERLE DATE 2002/09/10 | | | RING TONGUE TERMINAL PERMA-SEAL NIAC 12-10 AWG |
| | ▽=0 | 3 PLACES ± --- ± --- | CHECKED BY HBEITZEL DATE 2002/09/10 | | | |
| | | 2 PLACES ± --- ± --- | APPROVED BY RDEROSS DATE 2002/09/10 | MATERIAL NO. SEE CHART | DOCUMENT NO. SD-19164-041 | SHEET NO. 1 OF 1 |
| | 1 PLACE ± --- ± --- | ANGULAR ± ---° | DRAFT WHERE APPLICABLE MUST REMAIN WITHIN DIMENSIONS | | | |