

## Excellent Integrated System Limited

Stocking Distributor

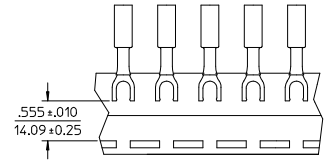
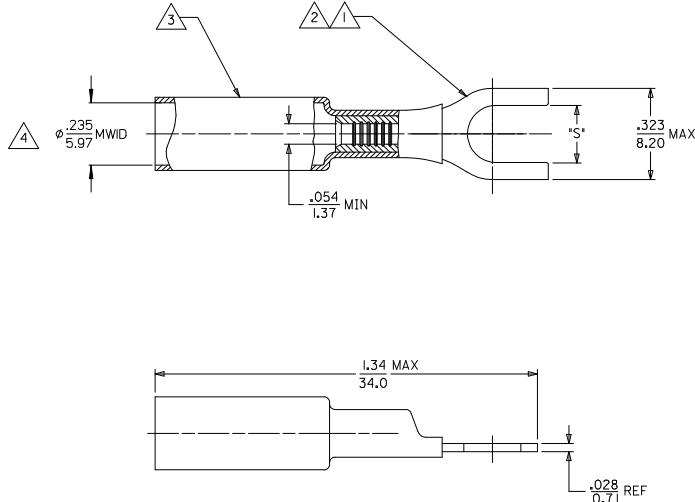
Click to view price, real time Inventory, Delivery & Lifecycle Information:

[Molex Connector Corporation](#)  
[19164-0006](#)

For any questions, you can email us directly:

[sales@integrated-circuit.com](mailto:sales@integrated-circuit.com)

MATERIAL NUMBER	ENGINEERING NUMBER	STUD SIZE	SLOT "S" ±0.10 ±0.25	PACKAGING
191640006	SA-235-06	6	Ø.146/3.71	LOOSE PIECE
191640007	SA-235-08	8	Ø.173/4.39	
191640008	SA-235-10	10	Ø.198/5.03	
191641155	SA-235-06T	6	Ø.146/3.71	TAPE MOUNTED
191641156	SA-235-08T	8	Ø.173/4.39	
191641157	SA-235-10T	10	Ø.198/5.03	



NOTES:

- 1. TERMINAL MATERIAL: COPPER ALLOY
- 2. FINISH: ELECTRO TIN PLATE.
- 3. INSULATION MATERIAL: HEAT SHRINKABLE TUBING WITH HOTMELT ADHESIVE INNER LINER. COLOR: RED.
- 4. MWD = MAXIMUM WIRE INSULATION DIAMETER.
- 5. PARTS ARE ROHS COMPLIANT.

SALES DRAWING

<b>ADD TAPES NUMBERS</b> IEC NO: IPG2016-1045 DRAWING: JAS01 2016/01/26 CHKD: MALNEIL 2016/01/26 APPR: MALNEIL 2016/03/29	<b>QUALITY SYMBOLS</b> ▽=0 ∇=0	<b>GENERAL TOLERANCES (UNLESS SPECIFIED)</b>		<b>DIMENSION STYLE</b> IN/MM	<b>SCALE</b> ---	<b>DESIGN UNITS</b> INCH	THIRD ANGLE PROJECTION	
		4 PLACES ± --- ± ---	3 PLACES ± --- ± ---	2 PLACES ± --- ± ---	1 PLACE ± --- ± ---	DRAWN BY: ASAYDEH DATE: 05/12/13 CHECKED BY: JLOMASTRO DATE: 05/12/13 APPROVED BY: RDEROSS DATE: 05/12/13		TITLE: SPADE TERMINAL NIAC 22-18 AWG
		ANGULAR ± --- °		DRAFT WHERE APPLICABLE MUST REMAIN WITHIN DIMENSIONS		MATERIAL NO. SEE CHART	DOCUMENT NO. SD-19164-025	SHEET NO. 1 OF 1
		THIS DRAWING CONTAINS INFORMATION THAT IS PROPRIETARY TO MOLEX INCORPORATED AND SHOULD NOT BE USED WITHOUT WRITTEN PERMISSION						