



Distributor of Molex Connector Corporation: Excellent Integrated System Limited
Datasheet of 0191640076 - Connector Quick Connect Receptacle 10-12 AWG 0.250"
(6.35mm) Crimp

Contact us: sales@integrated-circuit.com Website: www.integrated-circuit.com

Excellent Integrated System Limited

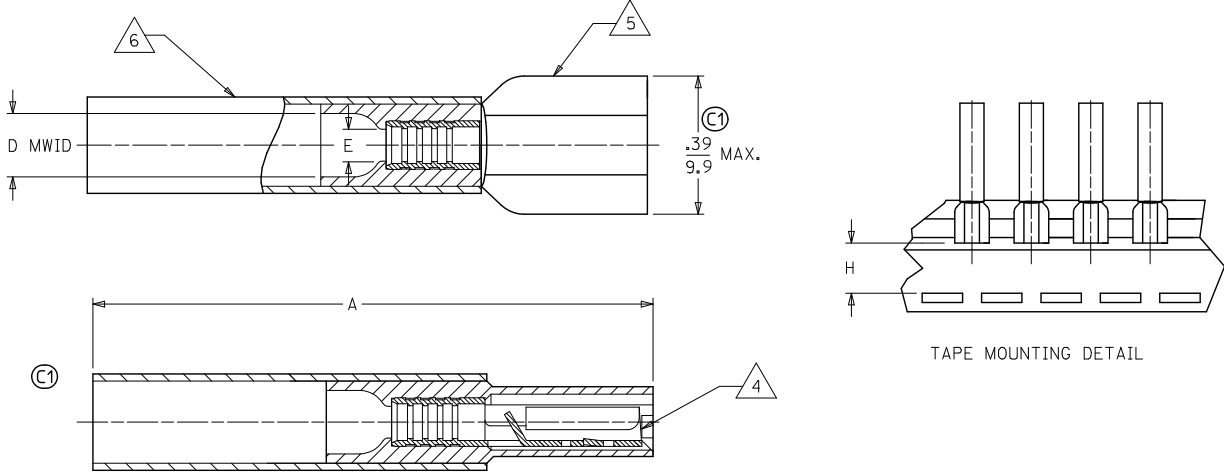
Stocking Distributor

Click to view price, real time Inventory, Delivery & Lifecycle Information:

[Molex Connector Corporation](#)
[0191640076](#)

For any questions, you can email us directly:
sales@integrated-circuit.com

10	9	8	7	6	5	4	3	2	19164		
MATERIAL NUMBER	ENGINEERING NUMBER	TAPE MATERIAL NUMBER	TAPE ENGINEERING NUMBER	WIRE SIZE AWG	WIRE SIZE MM SQ.	FITS MALE TAB	PERMA-SEAL COLOR	Ⓢ A MAX.	Ⓢ D MWID	E Ⓢ MIN	H NOMINAL
191640017	SAA-9261	191640018	SAA-9261T	22-18	.25-1.5	.250 X .032	RED	1.50/38.1	.17/4.3	.081/2.05	.55/14.0
191640050	SBB-9263	191640051	SBB-9263T	16-14	1.0-2.5	.250 X .032	BLUE	1.50/38.1	.18/4.5	.081/2.05	.55/14.0
191640076	SC-9281	191640305	SC-9281T	12-10	4.0-6.0	.250 X .032	YELLOW	1.52/38.6	.23/5.8	.140/3.56	.56/14.2



- NOTES:
- Ⓢ 1. FEMALE RECEPTACLE CONFORMS TO UL310.
 - 2. ALL DIMENSIONS SHOWN ARE BEFORE SHRINK TUBING IS HEATED.
 - 3. *MWID* DENOTES MAX. WIRE INSULATION DIA.
 - 4. TAB MATERIAL: .018 THK, BRASS, PLATING, TIN.
 - 5. INSULATION MAT'L: MOLDED NYLON
 - 6. NYLON TUBING WITH HOTMELT INNER LINER. SEE CHART FOR COLOR.
 - 7. ALL PARTS ARE ROHS COMPLIANT.

CORRECT SPECS EC NO: WNA2010-0115 DRAWN BY: THRODAHL 2010/02/16 CHKD: MACNEIL 2010/02/18 APPR: MACNEIL 2010/02/22	QUALITY SYMBOLS ▽=0 ▽=0	GENERAL TOLERANCES (UNLESS SPECIFIED)		DIMENSION STYLE		SCALE	DESIGN UNITS	THIRD ANGLE PROJECTION	
			mm	INCH	IN/MM		---	INCH	
		4 PLACES	±---	±---	DRAWN BY	DATE	TITLE		
		3 PLACES	±---	±---	BRE	2002/10/29	PERMA-SEAL COUPLER FEMALE RECEPTACLE		
	2 PLACES	±---	±---	CHECKED BY	DATE	MATERIAL NO.			
	1 PLACE	±---	±---	HEB	2002/10/29	RWD			
	ANGULAR ±---		APPROVED BY	DATE	DOCUMENT NO.			SHEET NO.	
			RWD	2002/10/29	Molex			1 OF 1	
	DRAFT WHERE APPLICABLE MUST REMAIN WITHIN DIMENSIONS		MATERIAL NO.		SD-19164-020				
			SEE CHART		THIS DRAWING CONTAINS INFORMATION THAT IS PROPRIETARY TO MOLEX INCORPORATED AND SHOULD NOT BE USED WITHOUT WRITTEN PERMISSION				