

Excellent Integrated System Limited

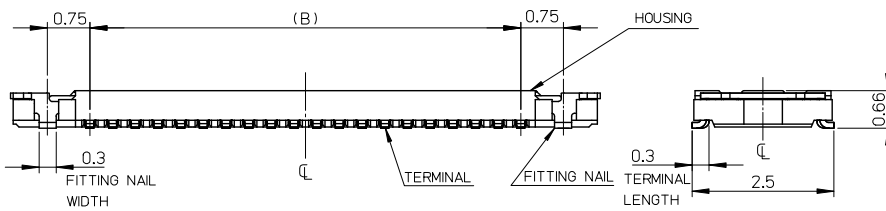
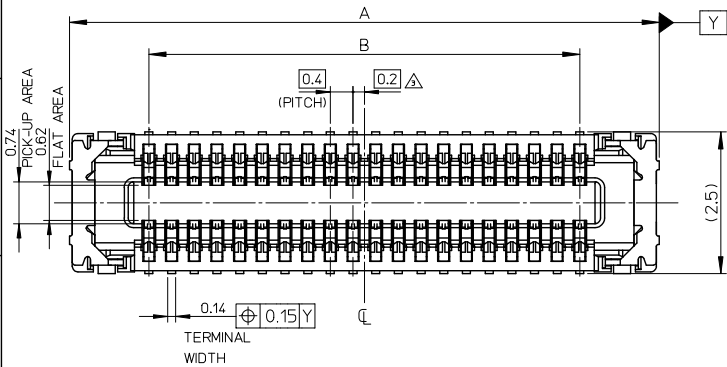
Stocking Distributor

Click to view price, real time Inventory, Delivery & Lifecycle Information:

[Molex Connector Corporation](#)
[5037722410](#)

For any questions, you can email us directly:
sales@integrated-circuit.com

10 9 8 7 6 5 4 3 2 1



注記 NOTES

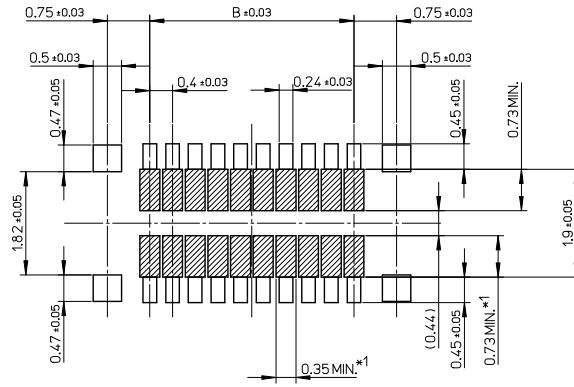
1. 使用材料 MATERIAL
 ハウジング : 液晶ポリマー (LCP) UL94V-0 (黒)
 HOUSING: LIQUID CRYSTAL POLYMER UL94V-0 (COLOR: BLACK)
 ターミナル : 銅合金
 TERMINAL : COPPER ALLOY
 金具 : SUS
 FITTING NAIL : STAINLESS STEEL
2. メッキ仕様 PLATING
 ターミナル TERMINAL
 金メッキ
 GOLD
 下地メッキ : ニッケルメッキ
 UNDER PLATING : NICKEL
 ※コンタクト部とテール部はニッケルメッキによって分断されている金メッキです。
 DIVIDE INTO PARTS THE GOLD PLATING OF THE CONTACT AND THE TAIL PART BY THE NICKEL PLATING.
 金具 FITTING NAIL
 金メッキ(半田付部のみ)
 GOLD (SOLDER TAIL ONLY)
 下地メッキ : ニッケルメッキ
 UNDER PLATING : NICKEL
3. Δ (全極数/2) = 偶数の場合に適用。
 APPLY FOR (CIRCUIT/2) = EVEN.
4. 嵌合相手 : 503776 シリーズ
 MATE WITH : 503776 SERIES.
5. テール及び金具の平坦度は、0.08以下。60極は0.1以下。
 TAIL AND FITTING NAIL COPLANARITY TO BE 0.08 MAXIMUM.
 TAIL AND FITTING NAIL COPLANARITY WITH 60ckt TO BE 0.1 MAXIMUM.
6. ELV and RoHS COMPLIANT

11.6	14.4	503772-6010	60
9.6	12.4	503772-5010	50
7.6	10.4	503772-4010	40
6.4	9.2	503772-3410	34
5.6	8.4	503772-3010	30
4.4	7.2	503772-2410	24
3.6	6.4	503772-2010	20
2.8	5.6	503772-1610	16
1.6	4.4	503772-1010	10
B	A	EMBOSSED PACKAGE	極数
		オーダー番号 ORDER No.	CIRCUITS
		CONNECTOR SERIES NO. : 503772	

REVISED EC NO. J2013-1495 DRAWN: TARA01 2013/06/10 CHKD: TASHAWA 2013/06/10 APPR: MORIKAWA 2013/06/12	GENERAL TOLERANCES (UNLESS SPECIFIED)		DIMENSION STYLE	SCALE	DESIGN UNITS	THIRD ANGLE PROJECTION
	10 UNDER	± 0.2	MM ONLY	15:1	METRIC	◎ □
	10 OVER 30 UNDER	± 0.25	DRAWN BY DATE	TITLE		
	30 OVER	± 0.3	CHECKED BY DATE	0.4 BB CONN. HGT=0.8 W=2.5 REC. ASS'Y		
	ANGULAR	± 1°	APPROVED BY DATE	molex		
DRAFT WHERE APPLICABLE MUST REMAIN WITHIN DIMENSIONS		MATERIAL NO.	DOCUMENT NO.	SHEET NO.		
		SEE TABLE	SD-503772-001	1 OF 2		
SIZE A THIS DRAWING CONTAINS INFORMATION THAT IS PROPRIETARY TO MOLEX INCORPORATED AND SHOULD NOT BE USED WITHOUT WRITTEN PERMISSION						

9 8 7 6 5 4 3 2

10 9 8 7 6 5 4 3 2 1



RECOMMENDED P.W. BOARD
PATTERN LAYOUT

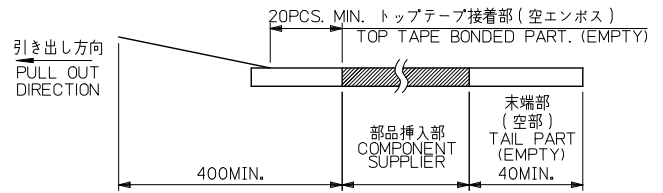
*1 パターン引き直し、および半田禁止エリア
(当該箇所においては、これと接する回路以外の配線を禁止する。
また、接する回路を配線する場合はレジストを施し、この部分に
半田は無きこととする。)
*1 PROHIBITED AREA OF PATTERN WIRING AND SOLDER.
(FOR EACH AREA, THE WIRING THAT TOUCHES ON THE SOLDER
CAN BE ATTACHED, THEN COVERED WITH A FILM TO KEEP SOLDER OUT.)

REVISED EC NO.: J2013-1495 DRAWN: TARA 01 2013/06/10 CHKD: TASAKAWA 2013/06/10 APPR: MORIKAWA 2013/06/12	GENERAL TOLERANCES (UNLESS SPECIFIED)		DIMENSION STYLE MM ONLY		SCALE 20:1	DESIGN UNITS METRIC	THIRD ANGLE PROJECTION
	10 UNDER	± 0.2	DRAWN BY KSASAKI	DATE 2011/02/21	TITLE 0.4 BB CONN. HGT=0.8 W=2.5 REC. ASS'Y		
	10 OVER 30 UNDER	± 0.25	CHECKED BY RTAKEUCHI	DATE 2011/02/21			
	30 OVER	± 0.3	APPROVED BY MSASAO	DATE 2011/06/13			
ANGULAR ±1 °		MATERIAL NO. SEE SHEET 1		DOCUMENT NO. SD-503772-001	SHEET NO. 2 OF 2		
DRAFT WHERE APPLICABLE MUST REMAIN WITHIN DIMENSIONS		THIS DRAWING CONTAINS INFORMATION THAT IS PROPRIETARY TO MOLEX INCORPORATED AND SHOULD NOT BE USED WITHOUT WRITTEN PERMISSION					

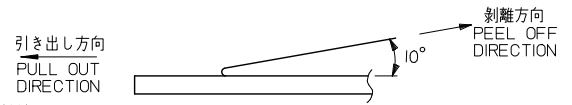
9 8 7 6 5 4 3 2 1

注記 NOTES

- 製品詳細寸法については製品単体図面を参照下さい。
RE DETAILED DIMENSION, SEE PRODUCT DRAWING.
- 梱包数量: 3000 個/リール
NUMBER OF CONNECTORS : 3000PCS/REEL
- リードテープ長さ LEAD TAPE LENGTH

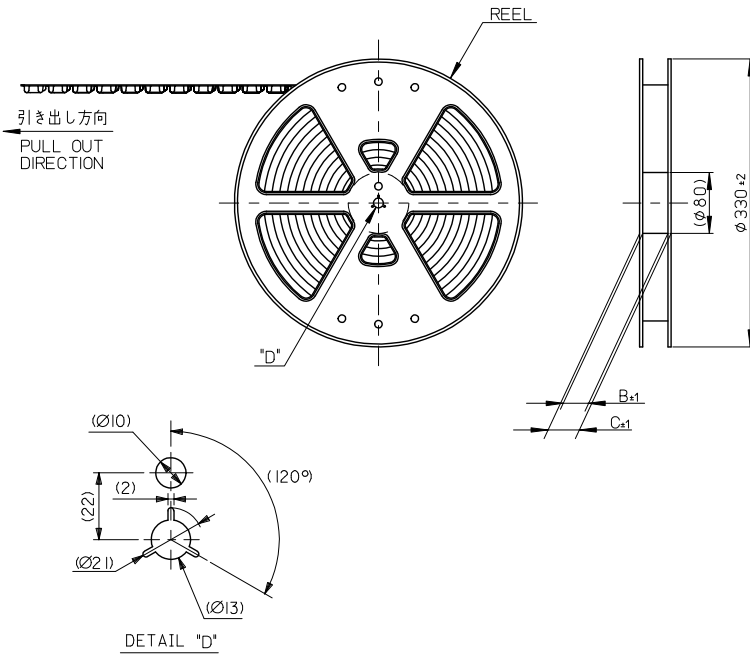


- トップテープの剥離強度: 0.1N~1.3N(10gf~130gf)
(剥離方向は下図参照)
尚、本規格値は出荷時に適用。(但し、輸送時に剥離が発生しないこと。)
PEELING OFF FORCE OF TOP TAPE : 0.1N~1.3N(10gf~130gf)
(PEELING DIRECTION AS SHOWN IN FOLLOWING FIG.)
THIS REQUIREMENT SHOULD BE APPLIED AT SHIPMENT.
PEEL OFF SHOULD NOT BE ALLOWED, DURING TRANSPORTION.



- 材料 MATERIAL
キャリアテープ (CARRIER TAPE) : ポリスチレン (POLYSTYRENE)
トップテープ (TOP TAPE) : PET , OTHER
リール (REEL) : ポリスチレン (PS) <リサイクル材を含む>
POLYSTYRENE (PS) <RECYCLE MATERIAL CONTAINED>
- ELV 及び RoHS適合品
ELV AND RoHS COMPLIANT

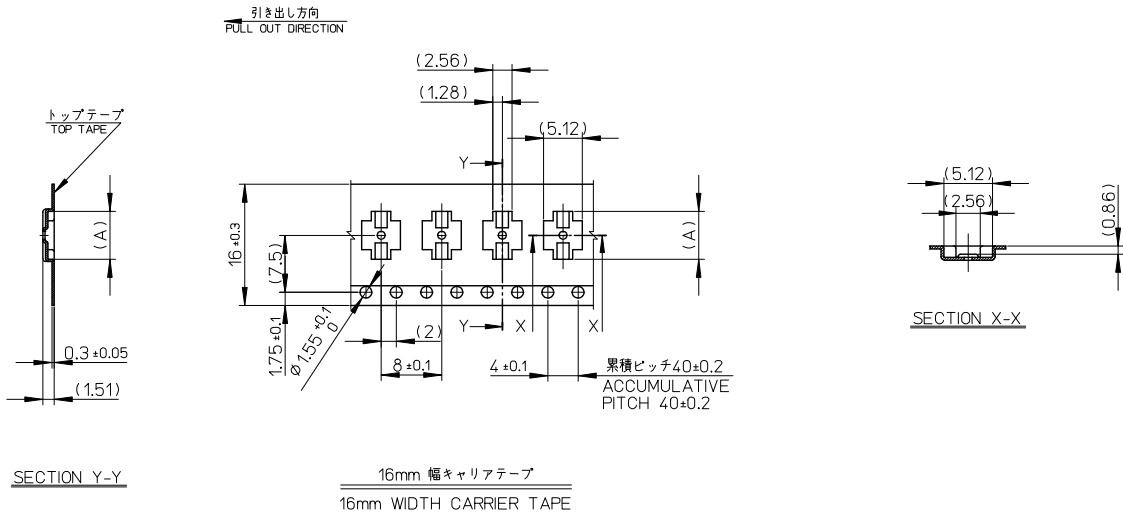
10 9 8 7 6 5 4 3 2 1



REVISED EC NO. J2013-1026 DRAWN: TABAI 01 2013/03/19 CHKD: TASAKAWA 2013/03/19 APPR: HISASAO 2013/03/19	DESCRIPTION REV	QUALITY SYMBOLS □ = 0 CRITICAL □ = 0 MAJOR ▽ = 0 ZERO DEFECT ▽ = 0 S.P.C.	GENERAL TOLERANCES (UNLESS SPECIFIED)	DIMENSION STYLE MM ONLY	SCALE	DESIGN UNITS	MODEL NO.
					---:--	METRIC	503772-***0
B	REV		DIMENSIONS ±0.1	DRAWN BY XSASAKI	DATE 2011/06/09	TITLE 0.4 BB CONN. HGT=0.8 REC ASSY EMBSTP PKG	THIRD ANGLE PROJECTION
DRAFT WHERE APPLICABLE MUST REMAIN WITHIN DIMENSIONS				APPROVED BY MSASAO	DATE 2011/06/13	molex	
				MATERIAL NO. SEE CHART	DOCUMENT NO. SD-503772-002	SHEET NO. 1 OF 3	
SIZE A3 THIS DRAWING CONTAINS INFORMATION THAT IS PROPRIETARY TO MOLEX INCORPORATED AND SHOULD NOT BE USED WITHOUT WRITTEN PERMISSION							

9 8 7 6 5 4 3 2 1

10 9 8 7 6 5 4 3 2 1

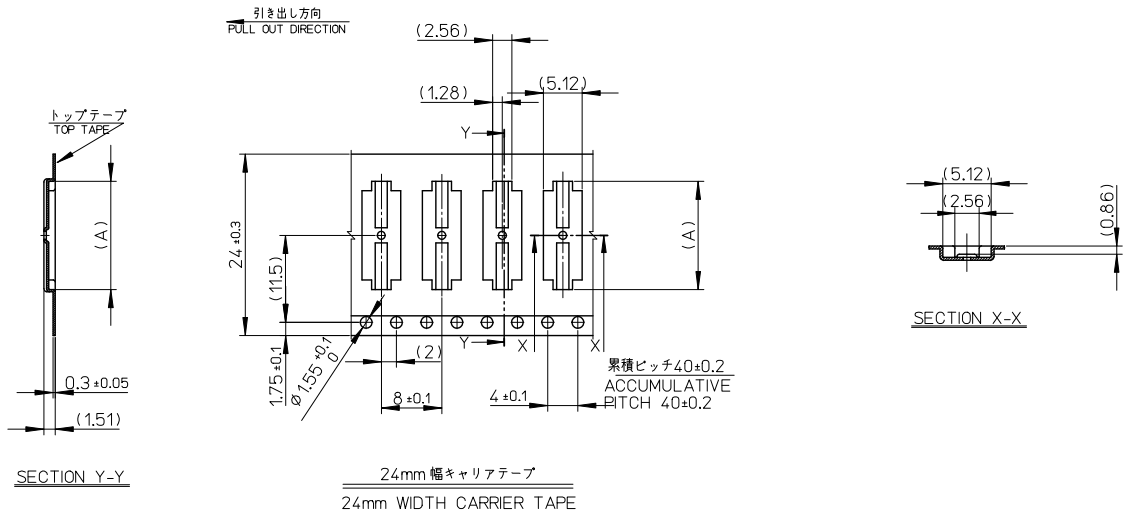


16	21.4	17.4	7.32	503772-2410	24
			6.52	503772-2010	20
			5.72	503772-1610	16
			4.52	503772-1010	10
キャリアテープ幅 CARRIER TAPE WIDTH			C	B	(A)
			MATERIAL No.		CKT.
			MODEL No.		503772-***0

REVISED EC NO: J2013-1026 DRAWN: TARA 01 2013/03/19 CHKD: TASHAWA 2013/03/19 APPR: MSASAO 2013/03/19	GENERAL TOLERANCES (UNLESS SPECIFIED)	DIMENSION STYLE MM ONLY	SCALE 5:1	DESIGN UNITS METRIC	THIRD ANGLE PROJECTION
	10 UNDER ±0.2	DRAWN BY KSASAKI	DATE 2011/06/09	TITLE 0.4 BB CONN. HGT=0.8 REC ASSY EMBSTP PKG	
	10 OVER 30 UNDER ±0.25	CHECKED BY RTAKEUCHI	DATE 2011/06/09	molex	
	30 OVER ±0.3	APPROVED BY MSASAO	DATE 2011/06/13		
	ANGULAR ±1 °	MATERIAL NO. SEE CHART		DOCUMENT NO. SD-503772-002	SHEET NO. 2 OF 3
DRAFT WHERE APPLICABLE MUST REMAIN WITHIN DIMENSIONS		THIS DRAWING CONTAINS INFORMATION THAT IS PROPRIETARY TO MOLEX INCORPORATED AND SHOULD NOT BE USED WITHOUT WRITTEN PERMISSION			

9 8 7 6 5 4 3 2

10 9 8 7 6 5 4 3 2 1



24	29.4	25.4	14.52	503772-6010	60
			12.52	503772-5010	50
			10.52	503772-4010	40
			9.32	503772-3410	34
			8.52	503772-3010	30
キャリアテープ幅 CARRIER TAPE WIDTH		C	B	(A)	MATERIAL No. CKT.
					MODEL No. 503772-***0

REVISED EC NO. J2013-1026 DRAWN: IARA101 CHKD: TASAKAWA APPR: MSASAO	DESCRIPTION 2013/03/19 2013/03/19 2013/03/19	GENERAL TOLERANCES (UNLESS SPECIFIED)		DIMENSION STYLE MM ONLY	SCALE 5:1	DESIGN UNITS METRIC	THIRD ANGLE PROJECTION	
		10 UNDER	± 0.2	DRAWN BY KSASAKI	DATE 2011/06/09	TITLE 0.4 BB CONN. HGT=0.8 REC ASSY EMBSTP PKG		
		10 OVER 30 UNDER	± 0.25	CHECKED BY RTAKEUCHI	DATE 2011/06/09			
		30 OVER	± 0.3	APPROVED BY MSASAO	DATE 2011/06/13			
B		ANGULAR	± 1 °	MATERIAL NO.	DOCUMENT NO.	SHEET NO.		
		DRAFT WHERE APPLICABLE MUST REMAIN WITHIN DIMENSIONS		SEE CHART		SD-503772-002		
		THIS DRAWING CONTAINS INFORMATION THAT IS PROPRIETARY TO MOLEX INCORPORATED AND SHOULD NOT BE USED WITHOUT WRITTEN PERMISSION						

9 8 7 6 5 4 3 2 1