

Excellent Integrated System Limited

Stocking Distributor

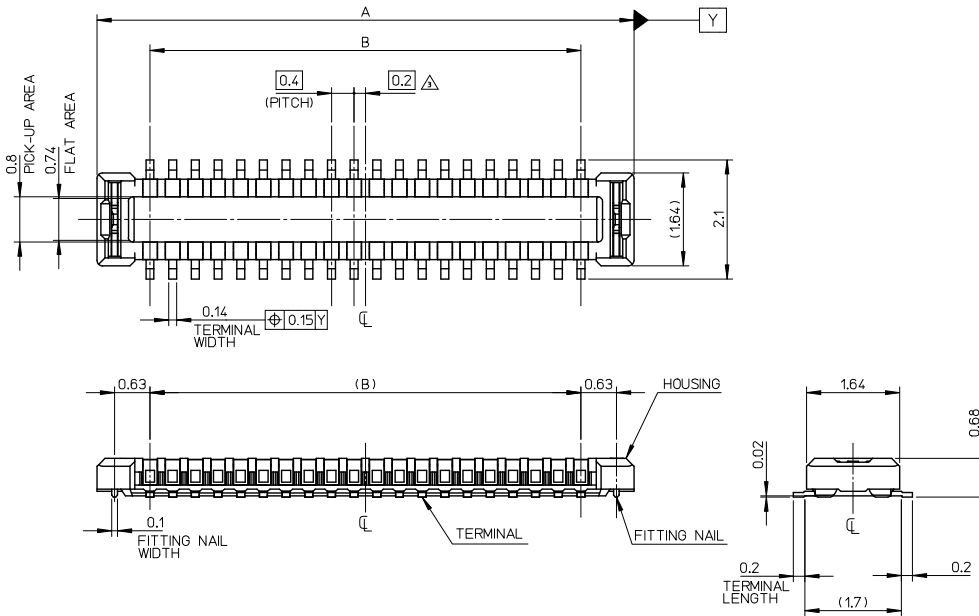
Click to view price, real time Inventory, Delivery & Lifecycle Information:

[Molex Connector Corporation](#)
[5037762410](#)

For any questions, you can email us directly:

sales@integrated-circuit.com

10 9 8 7 6 5 4 3 2 1



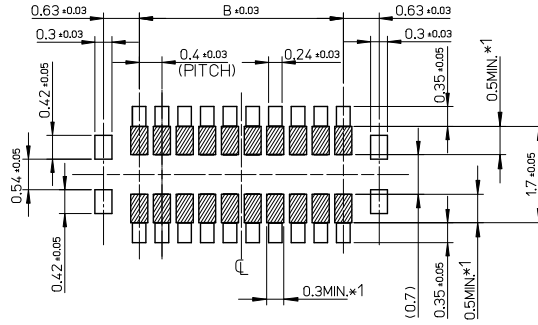
注記 NOTES

1. 使用材料 MATERIAL
 ハウジング : 液晶ポリマー (LCP) UL94V-0 (黒)
 HOUSING: LIQUID CRYSTAL POLYMER UL94V-0 (COLOR: BLACK)
 ターミナル : 銅合金
 TERMINAL : COPPER ALLOY
 金具 : 銅合金
 FITTING NAIL : COPPER ALLOY
2. メッキ仕様 PLATING
 ターミナル TERMINAL
 金メッキ
 GOLD
 下地メッキ : ニッケルメッキ
 UNDER PLATING : NICKEL
 ※コンタクト部とテール部はニッケルメッキによって分断されている金メッキです。
 DIVIDE INTO PARTS THE GOLD PLATING OF THE CONTACT AND THE TAIL PART BY THE NICKEL PLATING.
 金具 FITTING NAIL
 錫メッキ
 TIN PLATING
 下地メッキ : ニッケルメッキ
 UNDER PLATING : NICKEL
3. (全極数 / 2) = 偶数の場合に適用。
 APPLY FOR (CIRCUIT/2)-EVEN.
4. 嵌合相手 : 503772 シリーズ
 MATE WITH : 503772 SERIES.
5. テール及び金具の平坦度は、0.08 以下、60極は0.1以下。
 TAIL AND FITTING NAIL COPLANARITY TO BE 0.08 MAXIMUM.
 TAIL AND FITTING NAIL COPLANARITY WITH 60cki TO BE 0.1 MAXIMUM.
6. ELV and RoHS COMPLIANT

11.6	13.47	503776-6010	60
9.6	11.47	503776-5010	50
7.6	9.47	503776-4010	40
6.4	8.27	503776-3410	34
5.6	7.47	503776-3010	30
4.4	6.27	503776-2410	24
3.6	5.47	503776-2010	20
2.8	4.67	503776-1610	16
1.6	3.47	503776-1010	10
B		A	極数
EMBOSSED PACKAGE		CIRCUITS	
オーダー番号 ORDER No.		CONNECTOR SERIES NO. : 503776	

REVISED EC NO. J2013-1495 DRAWN: TARA01 2013/06/10 CHKD: TASUKAWA 2013/06/10 APPR: MORIKAWA 2013/06/12	GENERAL TOLERANCES (UNLESS SPECIFIED)		DIMENSION STYLE	SCALE	DESIGN UNITS	THIRD ANGLE PROJECTION
	10 UNDER	± 0.2	MM ONLY	15:1	METRIC	
	10 OVER 30 UNDER	± 0.25				
	30 OVER	± 0.3				
	ANGULAR	± 1 °				
	DRAFT WHERE APPLICABLE MUST REMAIN WITHIN DIMENSIONS		MATERIAL NO.	DOCUMENT NO.	SHEET NO.	
			SEE TABLE	SD-503776-001	1 OF 2	
			THIS DRAWING CONTAINS INFORMATION THAT IS PROPRIETARY TO MOLEX INCORPORATED AND SHOULD NOT BE USED WITHOUT WRITTEN PERMISSION			

9 8 7 6 5 4 3 2 1



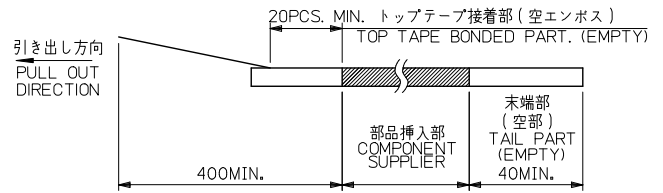
RECOMMENDED P.W. BOARD
PATTERN LAYOUT

- *1 パターン引き回し、および半田禁止エリア
(当該箇所においては、これと接する回路以外の配線を禁止する。
また、接する回路を配線する場合はレジストを施し、この部分に
半田は無きこととする。)
- *1 PROHIBITED AREA OF PATTERN WIRING AND SOLDER.
(FOR EACH AREA, THE WIRING THAT TOUCHES ON THE SOLDER
CAN BE ATTACHED, THEN COVERED WITH A FILM TO KEEP SOLDER OUT.)

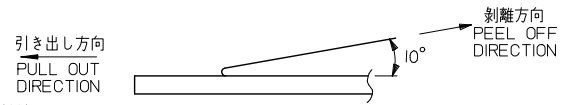
REVISED EC NO. J2013-1495 T1 DRAWN: TARA 01 2013/06/10 CHIKO: TASAKAWA 2013/06/10 APPR: KIMORI KAWA 2013/06/12	GENERAL TOLERANCES (UNLESS SPECIFIED)		DIMENSION STYLE MM ONLY		SCALE 20:1	DESIGN UNITS METRIC	THIRD ANGLE PROJECTION
	10 UNDER	± 0.2	DRAWN BY KSASAKI	DATE 2011/02/21	TITLE 0.4 BB CONN.HGT=0.8 W=2.5 PLUG ASS'Y		
	10 OVER 30 UNDER	± 0.25	CHECKED BY RTAKEUCHI	DATE 2011/02/21			
	30 OVER	± 0.3	APPROVED BY MSASAO	DATE 2011/06/13	molex		
ANGULAR ±1 °		MATERIAL NO. SEE SHEET 1		DOCUMENT NO. SD-503776-001	SHEET NO. 2 OF 2		
DRAFT WHERE APPLICABLE MUST REMAIN WITHIN DIMENSIONS		THIS DRAWING CONTAINS INFORMATION THAT IS PROPRIETARY TO MOLEX INCORPORATED AND SHOULD NOT BE USED WITHOUT WRITTEN PERMISSION					

注記 NOTES

- 製品詳細寸法については製品単体図面を参照下さい。
RE DETAILED DIMENSION, SEE PRODUCT DRAWING.
- 梱包数量: 3000 個/リール
NUMBER OF CONNECTORS : 3000PCS/REEL
- リードテープ長さ LEAD TAPE LENGTH

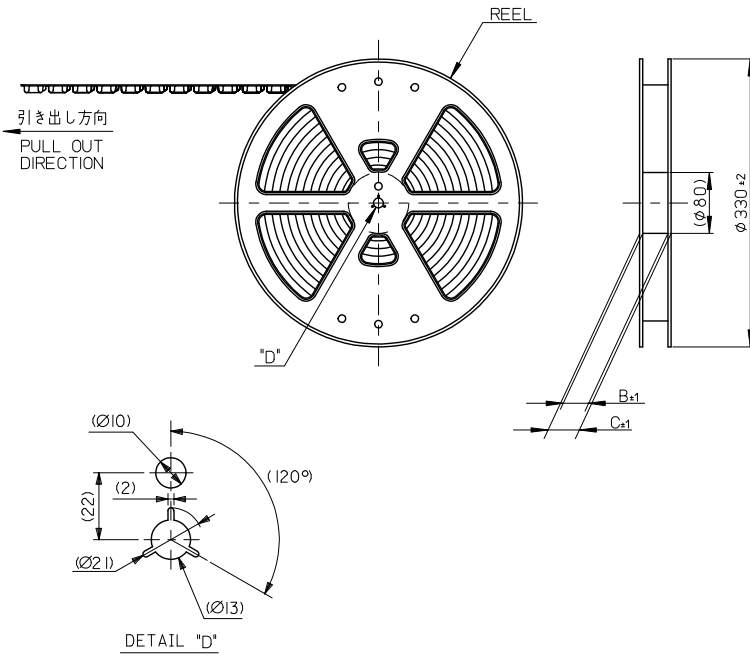


- トップテープの剥離強度: 0.1N~1.3N(10gf~130gf)
(剥離方向は下図参照)
尚、本規格値は出荷時に適用。(但し、輸送時に剥離が発生しないこと。)
PEELING OFF FORCE OF TOP TAPE : 0.1N~1.3N(10gf~130gf)
(PEELING DIRECTION AS SHOWN IN FOLLOWING FIG.)
THIS REQUIREMENT SHOULD BE APPLIED AT SHIPMENT.
PEEL OFF SHOULD NOT BE ALLOWED, DURING TRANSPORTION.



- 材料 MATERIAL
キャリアテープ (CARRIER TAPE) : ポリスチレン (POLYSTYRENE)
トップテープ (TOP TAPE) : PET , OTHER
リール (REEL) : ポリスチレン (PS) <リサイクル材を含む>
POLYSTYRENE (PS) <RECYCLE MATERIAL CONTAINED>
- ELV 及び RoHS適合品
ELV AND RoHS COMPLIANT

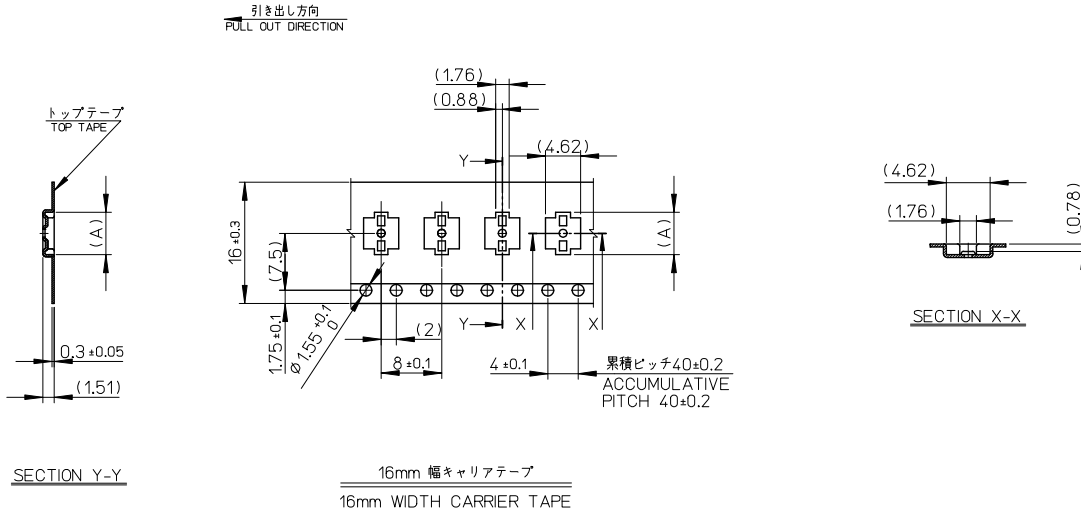
10 9 8 7 6 5 4 3 2 1



REVISED EC NO: J2013-1026 DRAWN: TARA 01 2013/03/19 CHKD: TSKAWA 2013/03/19 APPR: MSASAO 2013/03/19	GENERAL TOLERANCES (UNLESS SPECIFIED)		DIMENSION STYLE MM ONLY		SCALE --:--	DESIGN UNITS METRIC	MODEL NO. 503776-***0
	10 UNDER	±0.2	DRAWN BY KSASAKI	DATE 2011/06/09	TITLE 0.4 BB CONN. HGT=0.8 PLUG ASSY EMBSTP PKG		
	10 OVER 30 UNDER	±0.25	CHECKED BY RTAKEUCHI	DATE 2011/06/09			
	30 OVER	±0.3	APPROVED BY MSASAO	DATE 2011/06/13			
ANGULAR	±1 °	MATERIAL NO. SEE CHART		DOCUMENT NO. SD-503776-002	SHEET NO. 1 OF 3		
DRAFT WHERE APPLICABLE MUST REMAIN WITHIN DIMENSIONS		THIS DRAWING CONTAINS INFORMATION THAT IS PROPRIETARY TO MOLEX INCORPORATED AND SHOULD NOT BE USED WITHOUT WRITTEN PERMISSION					

9 8 7 6 5 4 3 2

10 9 8 7 6 5 4 3 2 1

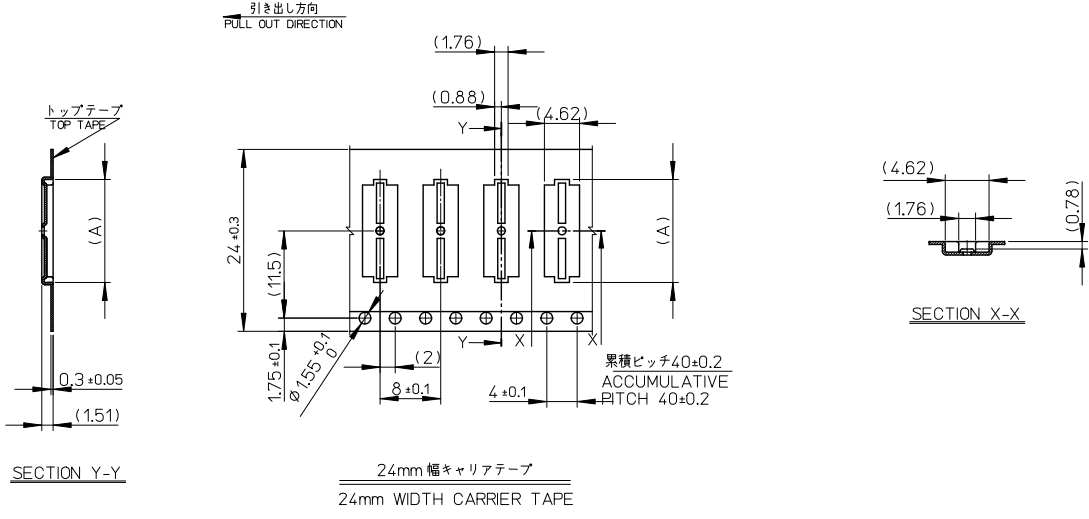


16	21.4	17.4	6.39	503776-2410	24
			5.59	503776-2010	20
			4.79	503776-1610	16
			3.59	503776-1010	10
キャリアテープ幅 CARRIER TAPE WIDTH			C	B	(A)
			MATERIAL No.	CKT.	
			MODEL No.	503776-***0	

REVISED IEC NO: J2013-1026 DRAWN: TARA 01 2013/03/19 CHKD: TASAKAWA 2013/03/19 APPR: MSASAO 2013/03/19	GENERAL TOLERANCES (UNLESS SPECIFIED)		DIMENSION STYLE MM ONLY		SCALE 5:1	DESIGN UNITS METRIC	THIRD ANGLE PROJECTION
	10 UNDER	± 0.2	DRAWN BY KSASAKI	DATE 2011/06/09	TITLE 0.4 BB CONN. HGT=0.8 PLUG ASSY EMBSTP PKG		
	10 OVER 30 UNDER	± 0.25	CHECKED BY RTAKEUCHI	DATE 2011/06/09	molex DOCUMENT NO. SD-503776-002 SHEET NO. 2 OF 3		
	30 OVER	± 0.3	APPROVED BY MSASAO	DATE 2011/06/13			
	ANGULAR	± 1 °	MATERIAL NO. SEE CHART		THIS DRAWING CONTAINS INFORMATION THAT IS PROPRIETARY TO MOLEX INCORPORATED AND SHOULD NOT BE USED WITHOUT WRITTEN PERMISSION		
DRAFT WHERE APPLICABLE MUST REMAIN WITHIN DIMENSIONS							

9 8 7 6 5 4 3 2

10 9 8 7 6 5 4 3 2 1

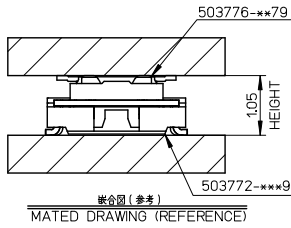
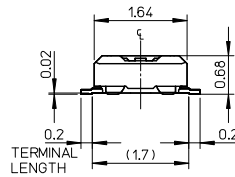
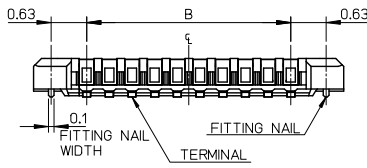
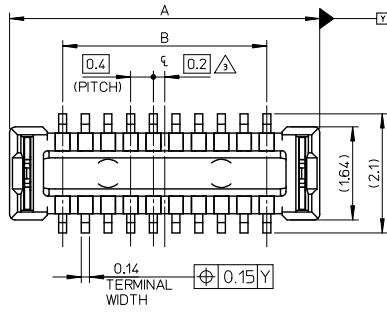


24	29.4	25.4	13.59	503776-6010	60	
			11.59	503776-5010	50	
			9.59	503776-4010	40	
			8.39	503776-3410	34	
			7.59	503776-3010	30	
キャリアテープ幅 CARRIER TAPE WIDTH		C	B	(A)	MATERIAL No.	CKT.
					MODEL No.	503776-***0

REVISED DEC NO. J2013-1026 DRAWN: TARA 01 2013/03/19 CHKD: TASAKAWA 2013/03/19 APPR: MSASAO 2013/03/19	DESCRIPTION	GENERAL TOLERANCES (UNLESS SPECIFIED)		DIMENSION STYLE	SCALE	DESIGN UNITS	THIRD ANGLE PROJECTION	
		10 UNDER	± 0.2	MM ONLY	5:1	METRIC		
		10 OVER 30 UNDER	± 0.25	DRAWN BY DATE		TITLE		
		30 OVER	± 0.3	KSASAKI 2011/06/09		0.4 BB CONN. HGT=0.8 PLUG ASSY EMBSTP PKG		
ANGULAR ±1 °		DRAFT WHERE APPLICABLE MUST REMAIN WITHIN DIMENSIONS		APPROVED BY DATE		DOCUMENT NO.		
				MSASAO 2011/06/13		SD-503776-002		
				MATERIAL NO.		SHEET NO.		
				SEE CHART		3 OF 3		
				THIS DRAWING CONTAINS INFORMATION THAT IS PROPRIETARY TO MOLEX INCORPORATED AND SHOULD NOT BE USED WITHOUT WRITTEN PERMISSION				

9 8 7 6 5 4 3 2

10 9 8 7 6 5 4 3 2 1



注記 NOTES

1. 使用材料 MATERIAL

ハウジング : 液晶ポリマー (LCP) UL94V-0 (黒)
HOUSING: LIQUID CRYSTAL POLYMER UL94V-0 (COLOR:BLACK)

ターミナル : 銅合金
TERMINAL : COPPER ALLOY

金具 : 銅合金
FITTING NAIL : COPPER ALLOY

2. メッキ仕様 PLATING

ターミナル TERMINAL

金メッキ

GOLD

下地メッキ : ニッケルメッキ

UNDER PLATING : NICKEL

※コンタクト部とテール部はニッケルメッキによって分断されている金メッキです。
DIVIDE INTO PARTS THE GOLD PLATING OF THE CONTACT AND THE TAIL PART BY THE NICKEL PLATING.

金具 FITTING NAIL

錫メッキ

Tin PLATING

下地メッキ : ニッケルメッキ

UNDER PLATING : NICKEL

△ (全極数/2) = 偶数の場合に適用。
APPLY FOR (CIRCUIT/2)=EVEN.

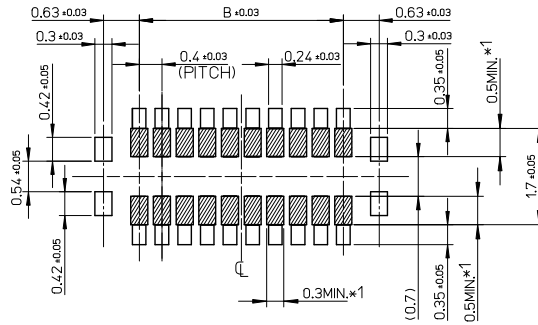
4. 嵌合相手 : 503772 シリーズ
MATE WITH : 503772 SERIES.

5. テール及び金具の平坦度は、0.08 以下
TAIL AND FITTING NAIL COPLANARITY TO BE 0.08 MAXIMUM.

6. ELV and RoHS COMPLIANT

9.6	11.47	503776-5070	50
7.6	9.47	503776-4070	40
6.4	8.27	503776-3470	34
5.6	7.47	503776-3070	30
B	A	EMBOSSED PACKAGE	極数
		オーダー番号 ORDER No.	CIRCUITS
		CONNECTOR SERIES NO.503776-***79	

RELEASED EC NO: J2013-0521 DRAWN: YFUJIMAKI 2012/11/06 CHKD: TASAKAWA APPR: MSASAO 2012/11/13 REV: 0	GENERAL TOLERANCES (UNLESS SPECIFIED)		DIMENSION STYLE		SCALE	DESIGN UNITS	THIRD ANGLE PROJECTION
			MM ONLY		15:1	METRIC	
	10 UNDER	± 0.2	DRAWN BY	DATE	TITLE		
	10 OVER 30 UNDER	± 0.25	YFUJIMAKI	2012/11/06	0.4 BB CONN.HGT=0.8 W=2.5 PLUG CHECKER TYPE ASS'Y		
	30 OVER	± 0.3	TASAKAWA	2012/11/08			
ANGULAR ±1 °		APPROVED BY	DATE	molex DOCUMENT NO. SD-503776-003 SHEET NO. 1 OF 2			
DRAFT WHERE APPLICABLE MUST REMAIN WITHIN DIMENSIONS		MSASAO	2012/11/13				
		MATERIAL NO.		SEE TABLE			
		SIZE		THIS DRAWING CONTAINS INFORMATION THAT IS PROPRIETARY TO MOLEX INCORPORATED AND SHOULD NOT BE USED WITHOUT WRITTEN PERMISSION			



RECOMMENDED P.W. BOARD
PATTERN LAYOUT

- *1 パターン引き回し、および半田禁止エリア
(当該箇所においては、これと接する回路以外の配線を禁止する。
また、接する回路を配線する場合はレジストを施し、この部分に
半田は無きこととする。)
- *1 PROHIBITED AREA OF PATTERN WIRING AND SOLDER.
(FOR EACH AREA, THE WIRING THAT TOUCHES ON THE SOLDER
CAN BE ATTACHED, THEN COVERED WITH A FILM TO KEEP SOLDER OUT.)

RELEASED EC NO.: J2013-0521 DRAWN: YFUJIMAKI 2012/11/06 CHKD: TASAKAWA APPR: MSASAO 2012/11/13	GENERAL TOLERANCES (UNLESS SPECIFIED)		DIMENSION STYLE MM ONLY		SCALE 20:1	DESIGN UNITS METRIC	THIRD ANGLE PROJECTION
	10 UNDER	± 0.2	DRAWN BY YFUJIMAKI	DATE 2012/11/06	TITLE 0.4 BB CONN.HGT=0.8 W=2.5 PLUG CHECKER TYPE ASS'Y		
	10 OVER 30 UNDER	± 0.25	CHECKED BY TASAKAWA	DATE 2012/11/08	molex		
	30 OVER	± 0.3	APPROVED BY MSASAO	DATE 2012/11/13			
ANGULAR ±1 °		MATERIAL NO. SEE SHEET 1		DOCUMENT NO. SD-503776-003	SHEET NO. 2 OF 2		
DRAFT WHERE APPLICABLE MUST REMAIN WITHIN DIMENSIONS		THIS DRAWING CONTAINS INFORMATION THAT IS PROPRIETARY TO MOLEX INCORPORATED AND SHOULD NOT BE USED WITHOUT WRITTEN PERMISSION					