

Excellent Integrated System Limited

Stocking Distributor

Click to view price, real time Inventory, Delivery & Lifecycle Information:

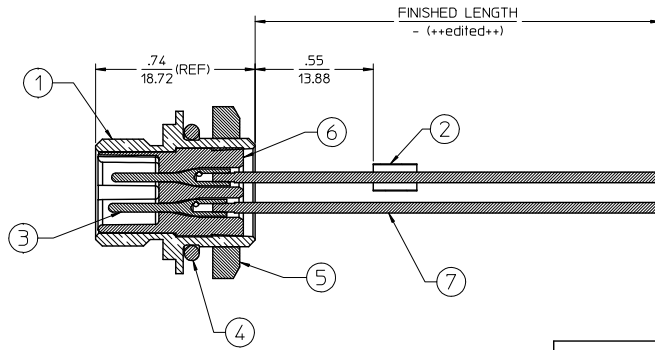
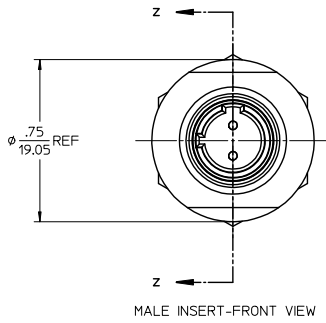
[Molex Connector Corporation](#)
[1200740241](#)

For any questions, you can email us directly:

sales@integrated-circuit.com

FACE VIEW - MALE INSERT
SCALE 2 : 1

1 BROWN 2 BLUE	1 GREEN 2 RED/BLACK 3 RED/WHITE	1 RED/BLACK 2 RED/WHITE 3 RED 4 GREEN	1 RED/WHITE 2 RED 3 GREEN 4 RED/YELLOW 5 RED/BLACK	1 RED/WHITE 2 RED 3 GREEN 4 RED/YELLOW 5 RED/BLACK 6 RED/BLUE



FINAL ASSEMBLY
1200740030 (SHOWN)

ENTER DESCRIPTION EC NO: WNA2010-0078 DRAWN BY: NKUMAR01 CHKD: JFMURPHY APPR: JFMURPHY DATE: 2009/08/27 DATE: 2009/08/28	QUALITY SYMBOLS $\nabla=0$ $\sphericalangle=0$	GENERAL TOLERANCES (UNLESS SPECIFIED)		DIMENSION STYLE IN/MM		SCALE 2:1	DESIGN UNITS INCH	THIRD ANGLE PROJECTION		
		mm	INCH	DRAWN BY	DATE	TITLE MIC 2P MR 12IN. 1/4NPT #22 PVC				
		4 PLACES	± ---	± ---	NKUMAR01	26/08/09	MOLEX INCORPORATED			
		3 PLACES	± ---	± ---	WWOODMAN	26/08/09	MATERIAL NO. SD-120074-030 DOCUMENT NO. 1 OF 2			
DRAFT WHERE APPLICABLE MUST REMAIN WITHIN DIMENSIONS		ANGULAR ± 1/2°		SEE SHEET 2		THIS DRAWING CONTAINS INFORMATION THAT IS PROPRIETARY TO MOLEX INCORPORATED AND SHOULD NOT BE USED WITHOUT WRITTEN PERMISSION				

		MALE RECEPTACLE ASSEMBLY				
		2 POLE	3 POLE	4 POLE	5 POLE	6 POLE
Sl. No.	DESCRIPTION	QUANTITY				
1	RECEPTACLE SHELL #1/4-18 NPT	1	1	1	1	1
2	LABEL,SELF L,YELLOW(2.25X.75IN)	1	1	1	1	1
3	PIN CONT 2-4P MIC GLD #22AWG	2	3	4		
	PIN CONT 5&6P MICGLD #22AWG				5	6
4	O-RING .489 ID X .070 THK	1	1	1	1	1
5	#1/4-18IN NPS LOCKNUT	1	1	1	1	1
6	MIC 2P MALE INSERT (NYLON)	1				
	MIC 3P MALE INSERT (NYLON)		1			
	MIC 4P MALE INSERT (NYLON)			1		
	MIC 5P MALE INSERT (NYLON)				1	
	MIC 6P MALE INSERT (NYLON)					1
7	#22-1 BLU PVC WIRE UL1061	1				
	#22-1 GRN PVC WIRE UL1061		1	1	1	1
	#22-1 BRN PVC WIRE UL1061	1				
	#22-1 RED PVC WIRE UL1061			1	1	1
	#22-1 RED/WHT PVC WIRE UL1061		1	1	1	1
	#22-1 RED/BLK PVC WIRE UL1061		1	1	1	1
	#22-1 RED/BLU PVC WIRE UL1061					1
	#22-1 RED/YEL PVC WIRE UL1061				1	1

PART NUMBER	DESCRIPTION	FINISHED LENGTH
1200740030	7R2A06A19A120	12.0' +.75' -0 [0.3M +19.1MM -0]
1200740079	7R3A06A19A120	12.0' +.75' -0 [0.3M +19.1MM -0]
1200740140	7R4A06A19A120	12.0' +.75' -0 [0.3M +19.1MM -0]
1200740190	7R5A06A19A120	12.0' +.75' -0 [0.3M +19.1MM -0]
1200740241	7R6A06A19A120	12.0' +.75' -0 [0.3M +19.1MM -0]

ENTER DESCRIPTION EC NO: WNA2010-0078 DRAWN BY: NKUMAR01 CHKD: JFMURPHY APPR: JFMURPHY DATE: 2009/08/27 DATE: 2009/08/28	QUALITY SYMBOLS ▽=0 ▽=0	GENERAL TOLERANCES (UNLESS SPECIFIED)		DIMENSION STYLE IN/MM		SCALE 2:1	DESIGN UNITS INCH	THIRD ANGLE PROJECTION	
		4 PLACES ± --- ± ---	mm	INCH	DRAWN BY	DATE	TITLE MIC 2P MR 12IN. 1/4NPT #22 PVC		
		3 PLACES ± --- ± ---			NKUMAR01	26/08/09			
		2 PLACES ± --- ± ---			CHECKED BY	DATE	MOLEX INCORPORATED SD-120074-030		
1 PLACE ± --- ± ---			BWOODMAN	26/08/09					
ANGULAR ± 1/2°		DRAFT WHERE APPLICABLE MUST REMAIN WITHIN DIMENSIONS		APPROVED BY JFMURPHY	DATE 2009/08/27	MATERIAL NO. SEE CHART	DOCUMENT NO. SD-120074-030	SHEET NO. 2 OF 2	