

Excellent Integrated System Limited

Stocking Distributor

Click to view price, real time Inventory, Delivery & Lifecycle Information:

[Molex Connector Corporation](#)
[1300700023](#)

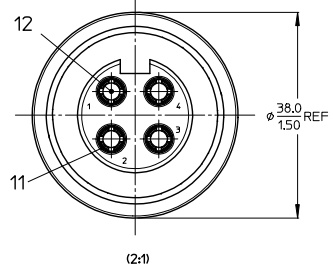
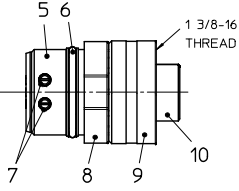
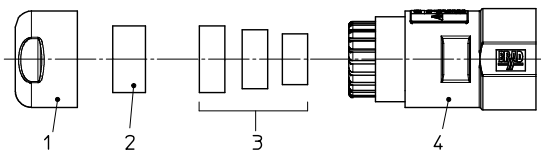
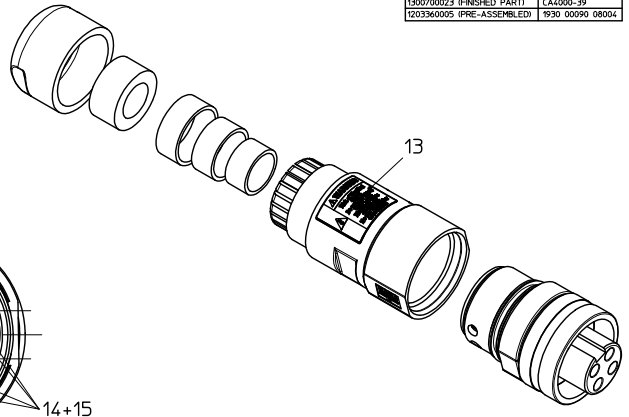
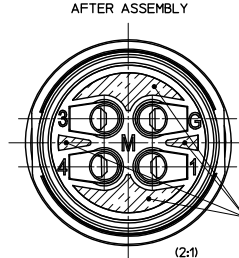
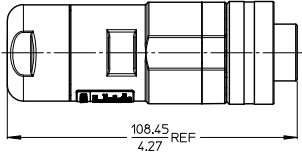
For any questions, you can email us directly:
sales@integrated-circuit.com

13 12 11 10 9 8 7 6 5 4 3 2 1

NOTES:

1. MATERIAL: SEE TABLE
2. FINISHES: SEE TABLE
3. PACKAGING: PART IS PACKED IN CLEAR POLY BAG WITH BARCODE LABEL ATTACHED
4. MATES WITH: BRAD MALE RECEPTACLE
5. WIRE RANGE: 8 AWG - 14 AWG (10mm² - 2.5mm²)
6. CABLE OD RANGE: .48 - .81 (12.2mm - 20.6mm)
7. ELECTRICAL SPECIFICATIONS:
VOLTAGE RATING: 600V AC
CURRENT RATING:
8 AWG - 25 AMPS
10 AWG - 25 AMPS
12 AWG - 20 AMPS
14 AWG - 15 AMPS
8. ENVIRONMENTAL PROTECTION: IP67, IP69K

MATERIAL NO.	ENGINEERING NO.
1300700023 (FINISHED PART)	CA-000-39
1203360005 (PRE-ASSEMBLED)	930 0000 08004



ITEM	QTY	COMPONENT	MATERIAL	FINISH
1	1	INLT NUT	PA66	BR
2	1	GASKET PD 15x17x25	CR	BT
3	3	GASKETS PD (SMALL REDUCED/LARGE)	PA66	BR
4	1	POUSING FA NUT	PA66	BR
5	1	INSERT ADAPTER	PA66	BR
6	1	GASKET BR 25x25	BR	BR
7	4	SCREW M4X10	V2A	BR
8	1	LOCKING RING	PA66	BR
9	1	NUT INTERNAL THREAD	AL	AN (NATL)
10	1	INSERT AC	CR	BR
11	4	SHIELD	BRASS ALLOY	ZN
12	4	CONTACT SPRING FE	CU ALLOY	AU PLATED
13	1	MARKING LABEL	PLASTIC FILM	
14	-	POTTING MATERIAL	NEVO RESIN PU 552 FL. NATUR SO	
15	-	MPS RESIN HARDNER		

ENTER DESCRIPTION	QUALITY SYMBOLS
EC NO: IPG2013-0945	▽=0
DRW:RSCHIEBER 2013/10/07	▽=0
CHK:KAPHL 2013/10/09	
APP:R. LOEGER 2013/06/03	

GENERAL TOLERANCES (UNLESS SPECIFIED)	
	mm INCH
4 PLACES	±.005 ±.0005
3 PLACES	±.005 ±.0005
2 PLACES	±.010 ±.0005
1 PLACE	±0.30 ±.0005
0 PLACE	±.005 ±.0005
ANGULAR ±1/2°	

DIMENSION STYLE	
MM/IN	DATE
DATE	TITLE
DATE	FA 4P AC FE STR UNSH
DATE	
DATE	
DATE	

SCALE 1:1	DESIGN UNITS METRIC	THIRD ANGLE PROJECTION
molex		
MATERIAL NO. SEE CHART	DOCUMENT NO. SD-120336-001	SHEET NO. 1 OF 1
DRAFT WHERE APPLICABLE MUST REMAIN WITHIN DIMENSIONS		
THIS DRAWING CONTAINS INFORMATION THAT IS PROPRIETARY TO MOLEX INCORPORATED AND SHOULD NOT BE USED WITHOUT WRITTEN PERMISSION		

13 12 11 10 9 8 7 6 5 4 3 2 1