

## **Excellent Integrated System Limited**

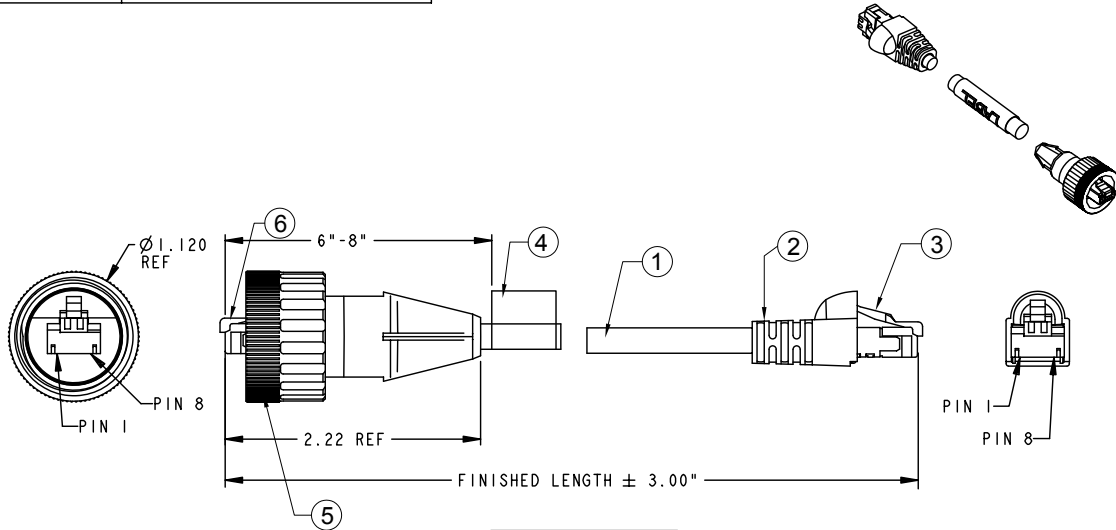
Stocking Distributor

Click to view price, real time Inventory, Delivery & Lifecycle Information:

[Molex Connector Corporation](#)  
[1300500371](#)

For any questions, you can email us directly:  
[sales@integrated-circuit.com](mailto:sales@integrated-circuit.com)

PART NUMBER	ENGINEERING NO.	LENGTH ± TOLERANCE
1300500371	ENS2135M010	3' 3" +2.19"/-0" [ 1M +55.6/-0 mm ]



NOTES:

- 1) MATERIAL: SEE TABLE
- 2) FINISHES: SEE TABLE
- 3) CABLE: #24/8 SHIELDED TWISTED PAIR, PUR
- 4) ELECTRICAL DATA:  
ACCORDING TO CAT5e ETHERNET STANDARD  
MAX. VOLTAGE: 30V  
MAX. CURRENT 1.5A
- 5) ENVIRONMENTAL:  
PROTECTION IP67  
TEMPERATURE RANGE: -20°C TO +80°C
- 6) WRAP LABEL IS MARKED WITH P/N & DATE CODE.
- 7) ASSEMBLY IS RoHS COMPLIANT.

WIRE LIST	
PIN #	COLOR
1	WHITE/GREEN
2	GREEN
3	WHITE/ORANGE
4	BLUE
5	WHITE/BLUE
6	ORANGE
7	WHITE/BROWN
8	BROWN
GND	DRAIN WIRE

ITEM	QTY.	DESCRIPTION	MATERIAL	FINISH
6	1	RJ45 PLUG	POLYCARBONATE	CLEAR
5	1	COUPLING NUT	ABS	BLACK
4	1	LABEL	PLASTIC FILM	BLACK/YELLOW
3	1	RJ45 PLUG	POLYCARBONATE	CLEAR
2	1	BOOT	PVC	BLACK
1	1	ETHERNET CABLE-CAT5E	PUR JACKET	BLACK

RELEASE DRAWING EC NO: WM20100442 DRWIN: TVICKERS 201001/18 CHKD: BWOODMA APPR: DTITUS 201001/19	DESCRIPTION A	QUALITY SYMBOLS ▽=0 ▽C=0	GENERAL TOLERANCES (UNLESS SPECIFIED)		DIMENSION STYLE	SCALE	DESIGN UNITS	THIRD ANGLE PROJECTION	
					IN	1:1	INCH		
					DRAWN BY	DATE	CHECKED BY	DATE	TITLE
							B. WOODMA	2010/01/18	ETHERNET MMJ IND./RJ45 568-A SHIELD ASSEMBLY PUR STRANDED CABLE
				APPROVED BY	DATE	MOLEX INCORPORATED			
				DTITUS	2010/01/19	MATERIAL NO. 1300500140			
				ANGULAR ±1/2°		DOCUMENT NO. SD-130050-033			
				DRAFT WHERE APPLICABLE MUST REMAIN WITHIN DIMENSIONS		SHEET NO. 1 OF 1			
				SIZE	THIS DRAWING CONTAINS INFORMATION THAT IS PROPRIETARY TO MOLEX INCORPORATED AND SHOULD NOT BE USED WITHOUT WRITTEN PERMISSION				
				A					

6

5

4

3

2

1