

Excellent Integrated System Limited

Stocking Distributor

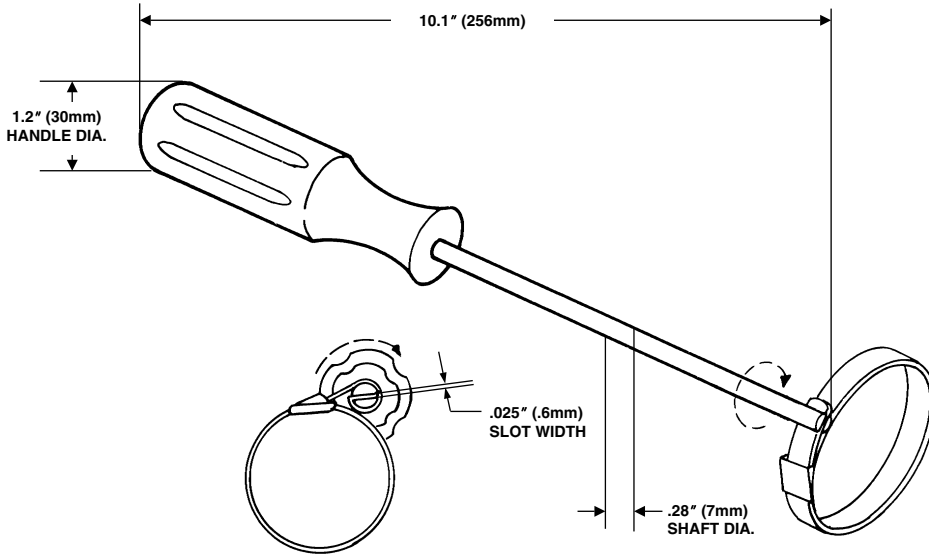
Click to view price, real time Inventory, Delivery & Lifecycle Information:

[Panduit](#)
[HTMT](#)

For any questions, you can email us directly:

sales@integrated-circuit.com

THIS COPY IS PROVIDED ON A RESTRICTED BASIS AND IS NOT TO BE USED IN ANY WAY DETRIMENTAL TO THE INTERESTS OF PANDUIT CORP.



PANDUIT HTMT

Convenient screwdriver-type tool used to tension standard, light-heavy and heavy cross-section ties.

- Economical
- Coiled tie end remaining after tensioning – assures a safe end
- No sharp edges
- Manual tension, no cut-off
- Installs ties parallel to the bundle

Used with standard, light-heavy and heavy cross sections of the following *PAN-STEEL* ties:

- Type MLT ties
- Type MLTC/MLTFC coated ties
- Type MLTDH double wrapped ties
- *WAVE-Ty* Superior Grip Stainless Steel Ties

F:\wrkgrp\rvusers\ENGR DOCS-NEW\CUST DWGS\TB25214B01_00 HTMT CD.doc

										PANDUIT CORP. TINLEY PARK, ILLINOIS			
										HTMT * CUSTOMER DRAWING			
										UNLESS OTHERWISE SPECIFIED, DIMENSIONAL TOLERANCES ARE: (.x) ± .005 (xxx) ± .010 (.xx) ± .002 ANGLES ± .005		UNLESS OTHERWISE SPECIFIED, ALL DIMENSIONS ARE GIVEN IN INCHES, THIRD ANGLE PROJECTION.	
										DRAWN BY: BLR		SCALE: NONE	
										DATE: 8-22-06		DRAWING NO. TB25214B01	
										CHK'D: ABJ		DWG SIZE: B	
00	8-22-06	BLR	ABJ	RELEASED	4221	---	LAH						
REV	DATE	BY	CHK'D	DESCRIPTION	ECN	- R	CUST	SUP					