

Excellent Integrated System Limited

Stocking Distributor

Click to view price, real time Inventory, Delivery & Lifecycle Information:

[Molex Connector Corporation](#)
[0502128000](#)

For any questions, you can email us directly:

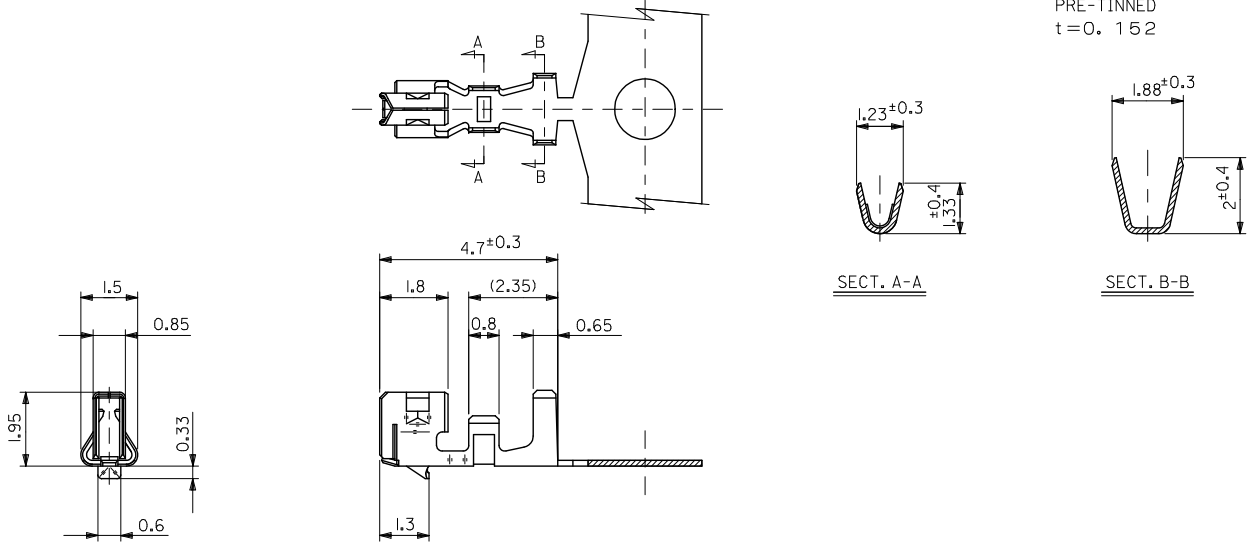
sales@integrated-circuit.com

10 9 8 7 6 5 4 3 2 1

注記

- 適用ハウジング: 51065-***00
APPLICABLE HOUSING 51089-***05
51090-***00

2. 材質:
MATERIAL
リン青銅
PHOSPHOR BRONZE
鍍メッキ
PRE-TINNED
t=0.152



50212-8100	バラ状
50212-8000	連鎖状
MATERIAL NO.	端子形状

通用電線範囲 WIRE RANGE	AWG #24~#30
被覆外径 INS. RANGE	φ1.4MAX.

REVISED IEC NO. J2009-2125 DRAWN BY C. ARIZONO 2009/03/25 CHECKED BY T. HARUYAMA 2009/04/07 APPROVED BY N. UKITA 2009/04/08 DESCRIPTION DRAFT WHERE APPLICABLE MUST REMAIN WITHIN DIMENSIONS	GENERAL TOLERANCES (UNLESS SPECIFIED)		DIMENSION STYLE MM ONLY	SCALE 10:1	DESIGN UNITS METRIC	THIRD ANGLE PROJECTION	TITLE NEW 2.0 WIRE TO BOARD CONN. CRIMP RECEPTACLE
	10 UNDER	± 0.2	DRAWN BY C. ARIZONO	DATE 09/03/19	MOLEX INCORPORATED DOCUMENT NO. SD-50212-001 SHEET NO. 1 OF 1		
	10 OVER 30 UNDER	± 0.25	CHECKED BY T. HARUYAMA	DATE 09/03/19			
	30 OVER	± 0.3	APPROVED BY N. UKITA	DATE 09/03/19			
ANGULAR ±3°		DRAFT WHERE APPLICABLE MUST REMAIN WITHIN DIMENSIONS		MATERIAL NO.	SEE CHART		
SIZE A3		THIS DRAWING CONTAINS INFORMATION THAT IS PROPRIETARY TO MOLEX INCORPORATED AND SHOULD NOT BE USED WITHOUT WRITTEN PERMISSION					