

Excellent Integrated System Limited

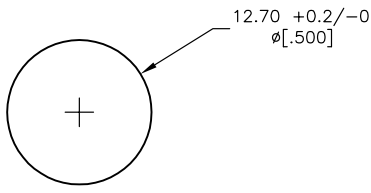
Stocking Distributor

Click to view price, real time Inventory, Delivery & Lifecycle Information:

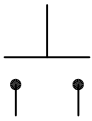
[E-Switch](#)
[RP3502ARED](#)

For any questions, you can email us directly:
sales@integrated-circuit.com

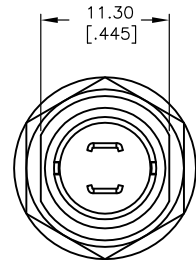
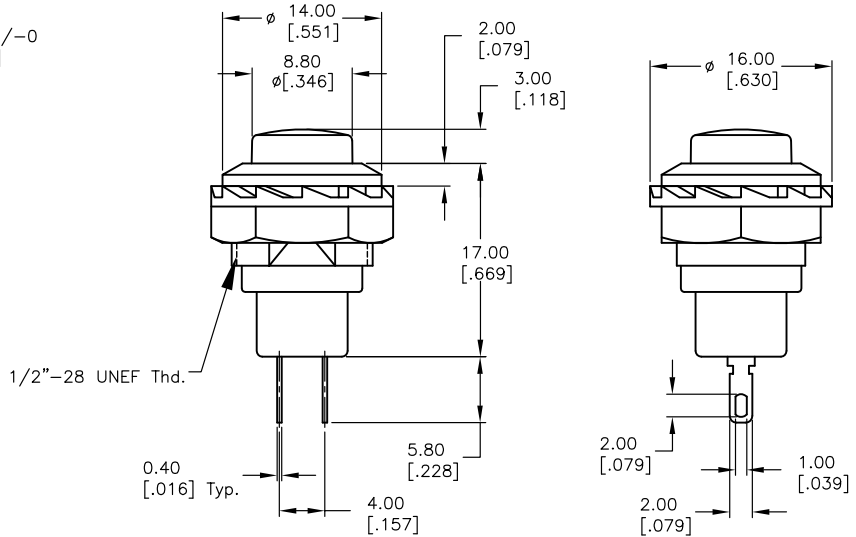
SHEET OF



RECOMMEND PANEL MOUNTING



CIRCUIT: 2P: SPST
CONTACT CONFIGURATION
OFF (ON)



NOTES:

1. ALL DIMENSIONS IN MM [INCH]
2. GENERAL TOLERANCE: 0.0=±0.4
0.00=±0.25
3. TERM. NOS. FOR REF. ONLY
4. RATING: 3A 125V, 1.5A 250V AC
5. CONTACT RESISTANCE: 50m ohm max.
6. INSULATION RESISTANCE: DC 500V 100M ohm min.
7. DIELECTRIC STRENGTHS: AC 1000V 1 minute

E-SWITCH®

TITLE		RP3502A-RED			
SCALE	DATE	DR	DWG	REV	
2:1	2/8/00	MM	F030012	A	

REV.	ECN No.	DESCRIPTION	DATE	CHKD
A	10522	RELEASED FOR PRODUCTION		

THE INFORMATION CONTAINED IN THIS DOCUMENT IS PROPRIETARY TO E-SWITCH AND IS NOT TO BE COPIED OR TRANSFERRED