

## Excellent Integrated System Limited

Stocking Distributor

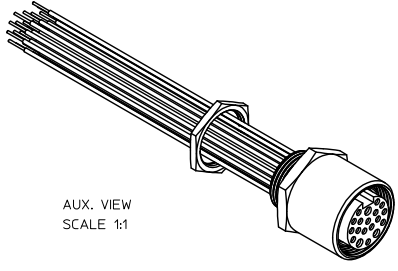
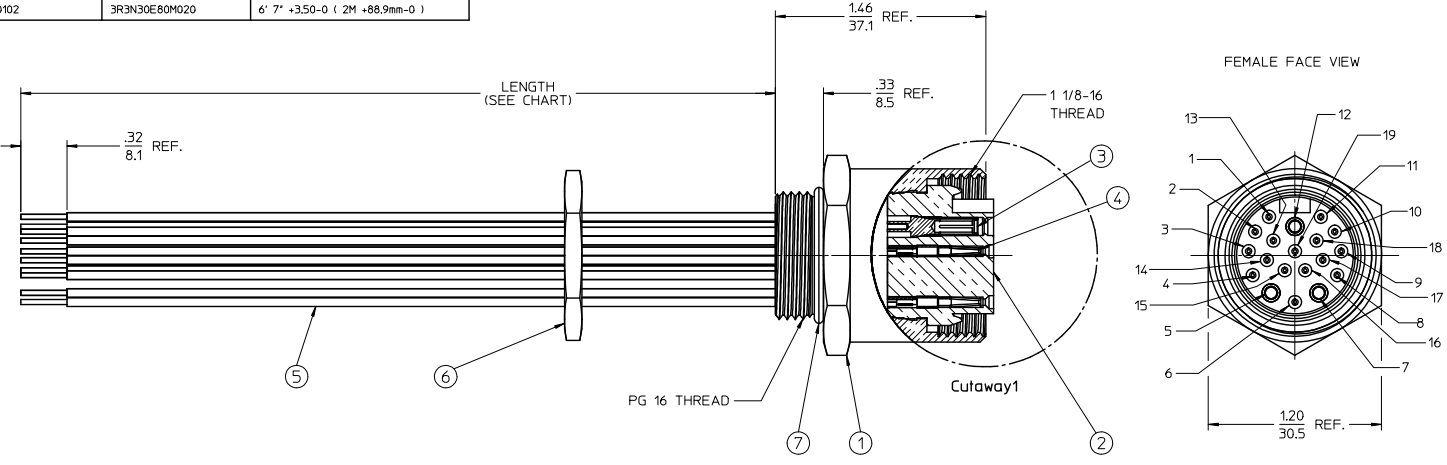
Click to view price, real time Inventory, Delivery & Lifecycle Information:

[Molex Connector Corporation](#)  
[1300150098](#)

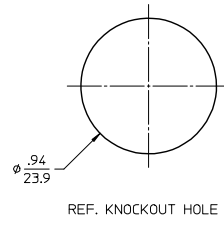
For any questions, you can email us directly:

[sales@integrated-circuit.com](mailto:sales@integrated-circuit.com)

MATERIAL NO.	ENGINEERING NO.	LENGTH
1300150098	3R3N30E80C300	1' 0" ±.75 -0 ( .3M ±19.1mm-0 )
1300150102	3R3N30E80M020	6' 7" ±3.50-0 ( 2M ±88.9mm-0 )



- NOTES:
1. MATERIAL: SEE TABLE
  2. FINISHES: SEE TABLE
  3. MATES WITH 19 POLE MALE MINI-CHANGE
  4. ELECTRICAL SPECIFICATIONS:  
VOLTAGE RATING: 300V AC/DC  
CURRENT RATING: 2 AMPS
  5. ASSEMBLY IS RoHS COMPLIANT



WIRING DIAGRAM

VIOLET	1
RED	2
GRAY	3
RED/BLUE	4
BLUE (-VE)	5
GREEN	6
BROWN (+VE)	7
WHITE/GREEN	8
WHITE/YELLOW	9
WHITE/GRAY	10
BLACK	11
YELLOW/GREEN (GRD)	12
YELLOW/BROWN	13
BROWN/GREEN	14
WHITE	15
YELLOW	16
PINK	17
GRAY/BROWN	18
GRAY/PINK	19

ITEM	QTY.	DESCRIPTION	MATERIAL	FINISH
7	1	O-RING	NITRILE	BLACK
6	1	LOCKNUT, PG16	BRASS	NICKEL PLATED
5	19	WIRE, 22 AWG	PVC INSULATION	SEE WIRE DIAGRAM
4	16	CONTACT SOCKET, 20 AWG	CU ALLOY	GOLD PLATED
3	3	CONTACT SOCKET/SLEEVE ASSY, 18 AWG	BRASS/SS	GOLD PLATED
2	1	INSERT, FEMALE, 19 POLE	PVC	YELLOW
1	1	RECEPTACLE SHELL	ALUMINUM	GRAY ANODIZE

REV	DESCRIPTION	DATE
A	RELEASED	2009/08/21
	EC NO: WNAZ010-0113	2009/08/21
	DRAWN BY: R. STONE	2009/08/21
	CHECKED BY: B. WOODMAN	2009/08/21
	APPR: J. MURPHY	2009/08/21

QUALITY SYMBOLS	GENERAL TOLERANCES (UNLESS SPECIFIED)
▽=0	4 PLACES ±.005 ±.005
▽=0	3 PLACES ±.005 ±.005
	2 PLACES ±.005 ±.01
	1 PLACE ±0.3 ±.005
	ANGULAR ±1/2°

DIMENSION STYLE	SCALE	DESIGN UNITS	THIRD ANGLE PROJECTION
IN/MM	2:1	INCH	THIRD ANGLE PROJECTION

TITLE	MATERIAL NO.	DOCUMENT NO.	SHEET NO.
MINI-CHANGE 19 POLE RECEPTACLE ASSEMBLY FEMALE		SD-130015-008	1 OF 1

MOLEX INCORPORATED

THIS DRAWING CONTAINS INFORMATION THAT IS PROPRIETARY TO MOLEX INCORPORATED AND SHOULD NOT BE USED WITHOUT WRITTEN PERMISSION