

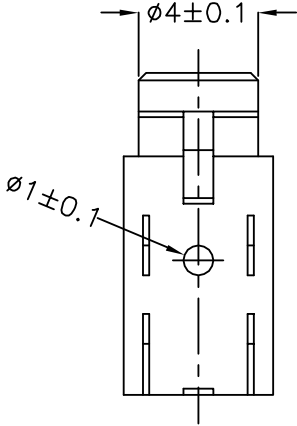
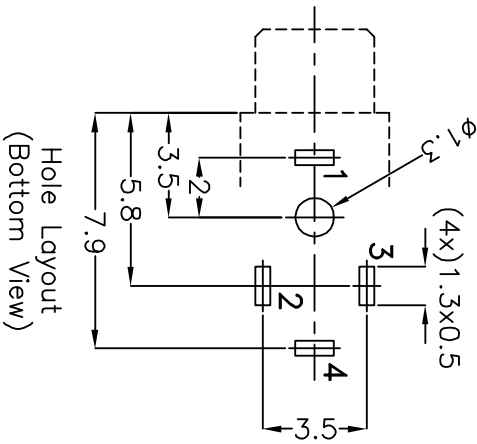
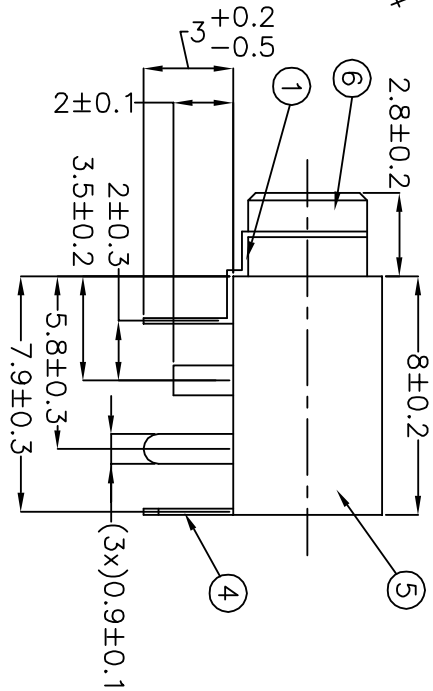
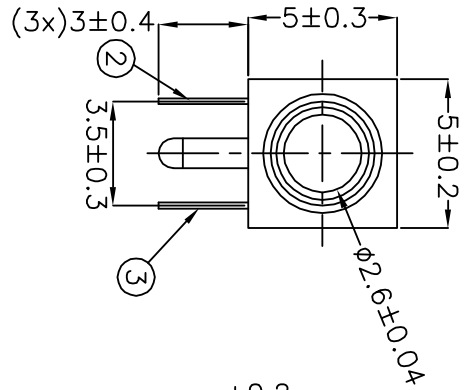
Excellent Integrated System Limited

Stocking Distributor

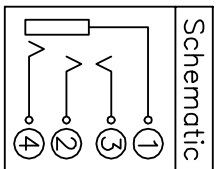
Click to view price, real time Inventory, Delivery & Lifecycle Information:

[CUI Inc.](#)
[SJ-2503A](#)

For any questions, you can email us directly:
sales@integrated-circuit.com



Hole Layout
(Bottom View)



Specifications
 Rating: 12V DC @ 1A
 Contact Resistance: 30 MOHMS Max
 Insulation Resistance: 100 MOHMS Min @ 500VDC.
 Dielectric Withstand Voltage: 500VAC for 1 Minute.
 Life: 5,000 Cycles

Item	Description	Material	Qty	Finish
6.	Bushing	Brass	1	Nickel Plated
5.	Housing	POM	1	Black Color
4.	Ring Spring	0.2T Phosphor Bronze	1	Silver Plated
3.	Tip Spring	0.2T Phosphor Bronze	1	Silver Plated
2.	Tip Spring	0.2T Phosphor Bronze	1	Silver Plated
1.	Ground	0.2T Brass	1	Silver Plated

cui inc
 9615 SW Allen, Suite 103
 Beaverton, OR 97005
 Phone: (503) 643-4899
 800-275-4899
 Fax: (503) 372-1266
 Website: www.cui.com

2.5mm AUDIO JACK-STEREO

PC FILE NAME:
SJ-2503A.DWG

COPYRIGHT 2000 BY CUI INC.

TITLE:		UNITS:		SCALE:	
PART NO. SJ-2503A		Millimeters		4x	
DRAWN BY: Todd R. White		APPROVED BY:			