

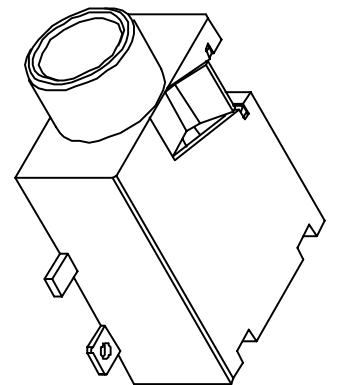
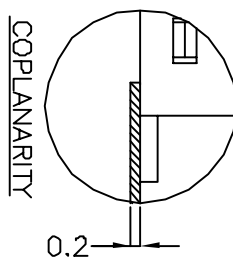
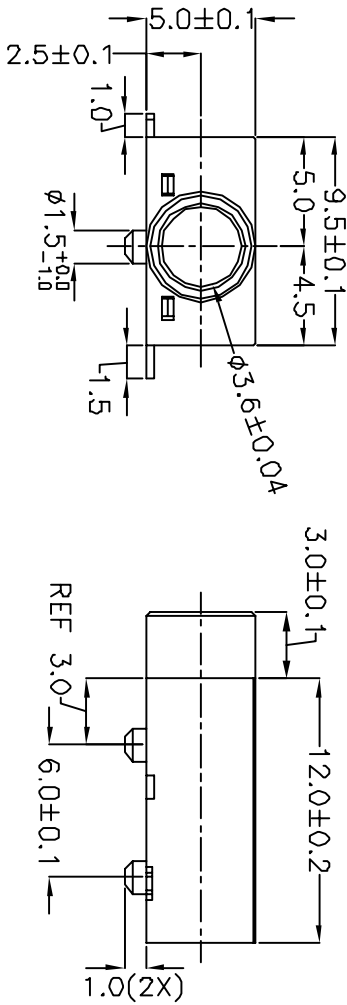
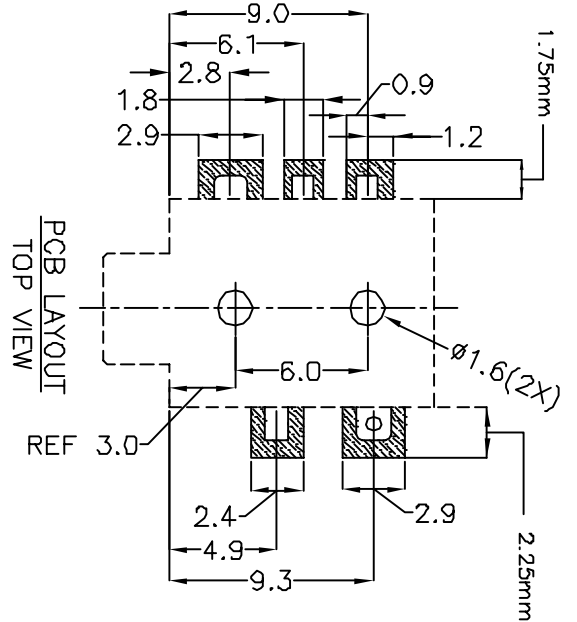
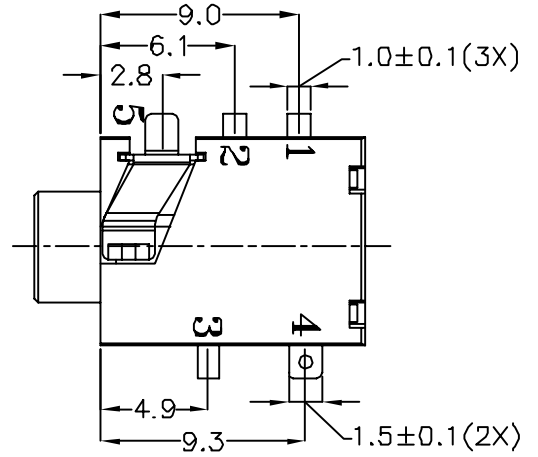
Excellent Integrated System Limited

Stocking Distributor

Click to view price, real time Inventory, Delivery & Lifecycle Information:

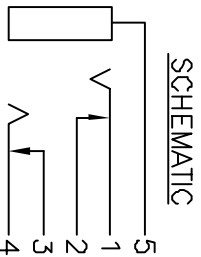
[CUI Inc.](#)
[SJ-3515](#)

For any questions, you can email us directly:
sales@integrated-circuit.com



NO.	PART NAME	MATERIAL	PLATING	REMARKS
1	HOUSING	POLYAMIDE		UL94V0
2	BOTTOM COVER	POLYAMIDE		UL94V0
3	RING TERMINAL	Cu-Ti	GOLD FLASH	25 MICRONS
4	SHUNT TERMINAL	BRASS	GOLD FLASH	30 MICRONS
5	SHUNT TERMINAL	BRASS	GOLD FLASH	30 MICRONS
6	TIP TERMINAL	Cu-Ti	GOLD FLASH	25 MICRONS
7	SLEEVE (EARTH) TERMINAL	PBS	GOLD FLASH	30 MICRONS

- SPECIFICATIONS:
1. RATED VOLTAGE-16 VDC
 2. RATED CURRENT-300 mA
 3. CONTACT RESISTANCE-100 MOHMS OR LESS UNDER ALL CONDITIONS, INCLUDING AFTER LIFE TESTING.
 4. INSULATION RESISTANCE-100 MOHMS OR GREATER AT 500 VDC.
 5. DIELECTRIC WITHSTAND VOLTAGE-500 VAC RMS FOR 1 MINUTE.



PC FILE NAME: SJ-3515-SMT.DWG

COPYRIGHT 1999 BY CUI INC.

9615 SW Allen, Suite 103
 Beaverton, OR 97005
 Phone: (503) 643-4899
 800-275-4899
 Fax: (503) 372-1266
 Website: www.cui.com



TITLE: 3.5mm SURFACE MOUNT AUDIO JACK-STEREO

PART NO. SJ-3515-SMT UNITS: Millimeters

SCALE: 3X
 DRAWN BY: Todd R. White
 APPROVED BY: