

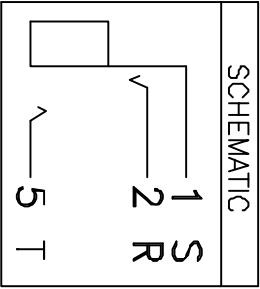
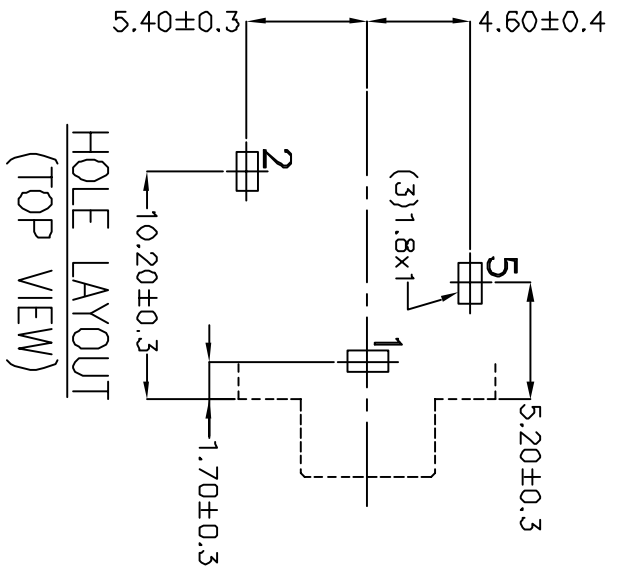
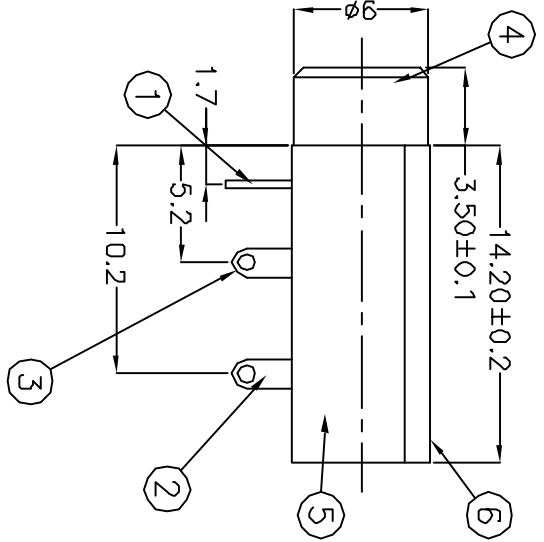
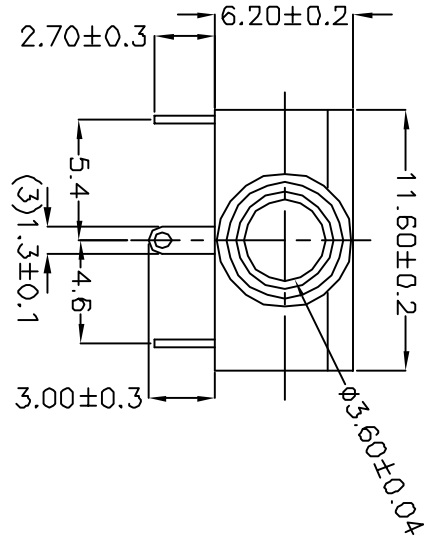
## Excellent Integrated System Limited

Stocking Distributor

Click to view price, real time Inventory, Delivery & Lifecycle Information:

[CUI Inc.](#)  
[SJ-3513N](#)

For any questions, you can email us directly:  
[sales@integrated-circuit.com](mailto:sales@integrated-circuit.com)



**SPECIFICATIONS:**  
 RATING: 12V DC @ 1A  
 CONTACT RESISTANCE:  
 30 MOHMS MAX  
 INSULATION RESISTANCE:  
 100 MOHMS MIN @ 500V DC  
 WITHSTAND VOLTAGE:  
 500V AC FOR 1 MINUTE  
 LIFE: 5,000 CYCLES

NO.	DESCRIPTION	MATERIAL	QTY	FINISH
6	COVER	PC	1	TRANS PARENT
5	HOUSING	POM	1	BLACK COLOR
4	BARREL (W/O THREAD)	BRASS	1	NICKEL PLATED
3	TIP SPRING	0.25T PHOSPHOR BRONZE	1	SILVER PLATED
2	RING SPRING	0.25T PHOSPHOR BRONZE	1	SILVER PLATED
1	EARTH TERMINAL	0.4T BRASS	1	SILVER PLATED

**CUI INC**  
 9615 SW Allen, Suite 103  
 Beaverton, OR 97006  
 Phone: (503) 643-4899  
 800-276-4899  
 Fax: (503) 372-1266  
 Website: www.cui.com

TITLE: **3.5mm AUDIO JACK - STEREO**

PART NO.: SJ-3513N UNITS: MILLIMETERS

DRAWN BY: Todd R. White APPROVED BY: SCALE: 3X

PC FILE NAME: SJ-3513N.DWG COPYRIGHT 1997 BY CUI INC.