

Excellent Integrated System Limited

Stocking Distributor

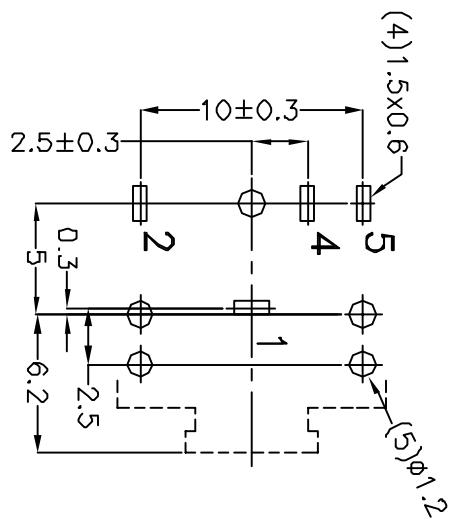
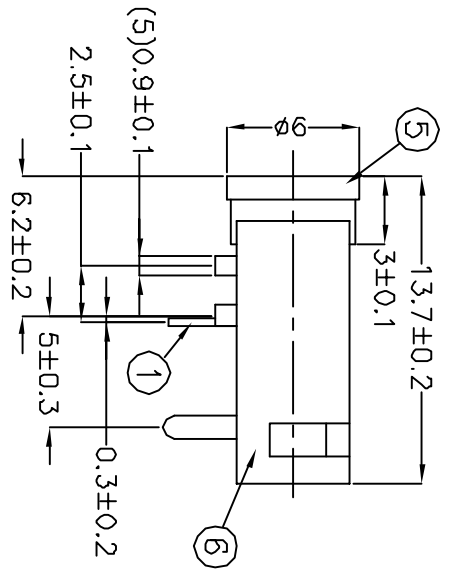
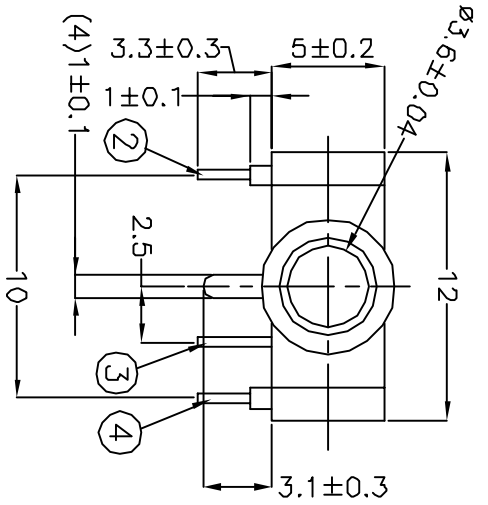
Click to view price, real time Inventory, Delivery & Lifecycle Information:

[CUI Inc.](#)
[SJ-3524N](#)

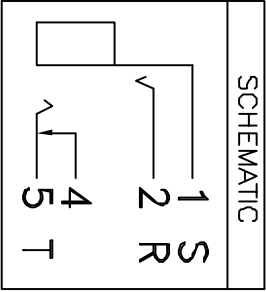
For any questions, you can email us directly:
sales@integrated-circuit.com

PC FILE NAME:
SJ-3524N.DWG

COPYRIGHT 1997 BY CUI INC.



HOLE LAYOUT
(TOP VIEW)



SPECIFICATIONS:
 RATING: 12V DC @ 1A
 CONTACT RESISTANCE:
 30 MOHMS MAX
 INSULATION RESISTANCE:
 100 MOHMS MIN @ 500V DC
 WITHSTAND VOLTAGE:
 500V AC FOR 1 MINUTE
 LIFE: 5,000 CYCLES

NO.	DESCRIPTION	MATERIAL	QTY	FINISH
6	HOUSING	PBT	1	BLACK COLOR
5	BARREL	BRASS	1	NICKEL PLATED
4	TIP SPRING	0.25T TIGUR1-M-EH	1	SILVER PLATED
3	BREAK TERMINAL	0.3T BRASS	1	SILVER PLATED
2	RING SPRING	0.2T TIGUR1-M-EH	1	SILVER PLATED
1	EARTH TERMINAL	0.2T PHOSPHOR BRONZE	1	SILVER PLATED



9615 SW Allen, Suite 103
 Beaverton, OR 97006
 Phone: (503) 643-4899
 800-276-4899
 Fax: (503) 372-1266
 Website: www.cui.com

TITLE:
3.5mm AUDIO JACK - STEREO

PART NO.: SJ-3524N UNITS: MILLIMETERS

DRAWN BY: Todd R. White APPROVED BY: SCALE: 3X