

## **Excellent Integrated System Limited**

Stocking Distributor

Click to view price, real time Inventory, Delivery & Lifecycle Information:

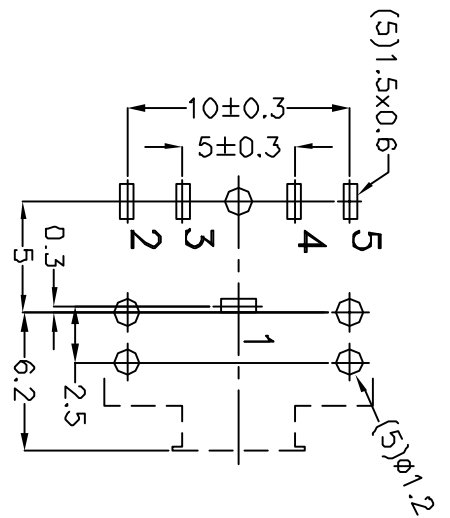
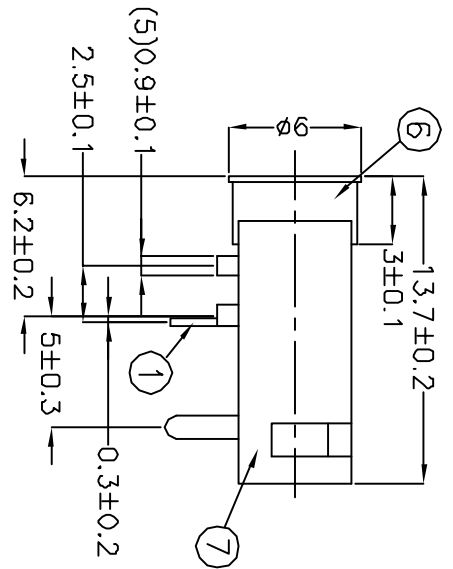
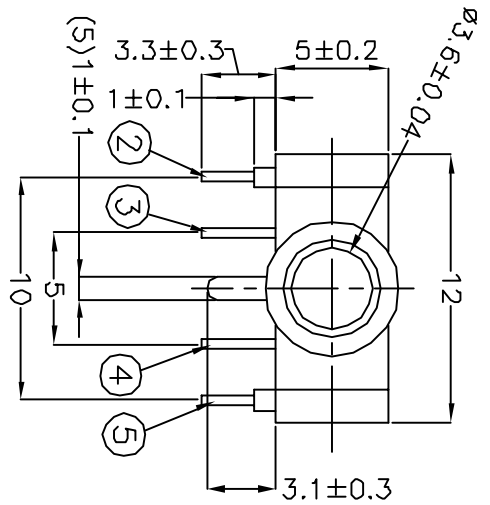
[CUI Inc.](#)  
[SJ-3525NG](#)

For any questions, you can email us directly:

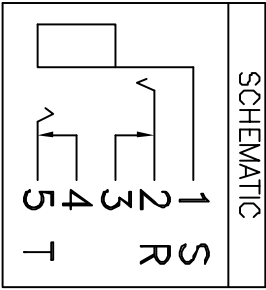
[sales@integrated-circuit.com](mailto:sales@integrated-circuit.com)

PC FILE NAME:  
SJ3525NG.DWG

COPYRIGHT 1997 BY CUI INC.



HOLE LAYOUT  
(TOP VIEW)



SCHEMATIC

**SPECIFICATIONS:**  
 RATING: 12V DC @ 1A  
 CONTACT RESISTANCE:  
 30 MOHMS MAX  
 INSULATION RESISTANCE:  
 100 MOHMS MIN @ 500V DC  
 WITHSTAND VOLTAGE:  
 500V AC FOR 1 MINUTE  
 LIFE: 5,000 CYCLES

NO.	DESCRIPTION	MATERIAL	QTY	FINISH
7	HOUSING	PBT	1	BLACK COLOR
6	BARREL	BRASS	1	NICKEL PLATED
5	TIP SPRING	0.25T TiCuR1-M-EH	1	SILVER PLATED
4	BREAK TERMINAL	0.3T BRASS	1	SILVER PLATED
3	BREAK TERMINAL	0.3T BRASS	1	SILVER PLATED
2	RING SPRING	0.2T TiCuR1-M-EH	1	SILVER PLATED
1	EARTH TERMINAL	0.2T PHOSPHOR BRONZE	1	SILVER PLATED



9615 SW Allen, Suite 103  
 Beaverton, OR 97006  
 Phone: (503) 643-4899  
 800-275-4899  
 Fax: (503) 372-1266  
 Website: www.cui.com

TITLE:  
**3.5mm AUDIO JACK - STEREO**

PART NO.: SJ-3525NG UNITS: MILLIMETERS

DRAWN BY: Todd R. White APPROVED BY: SCALE: 3X