

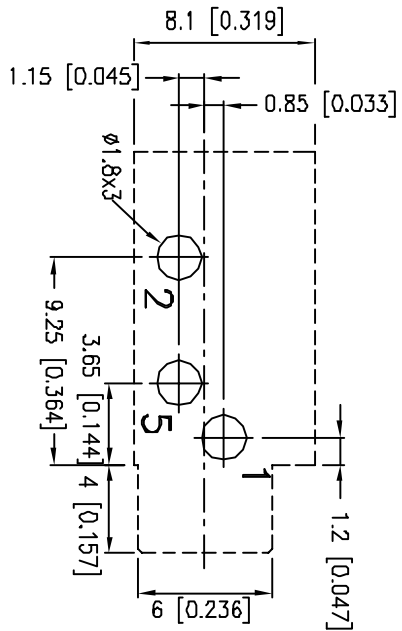
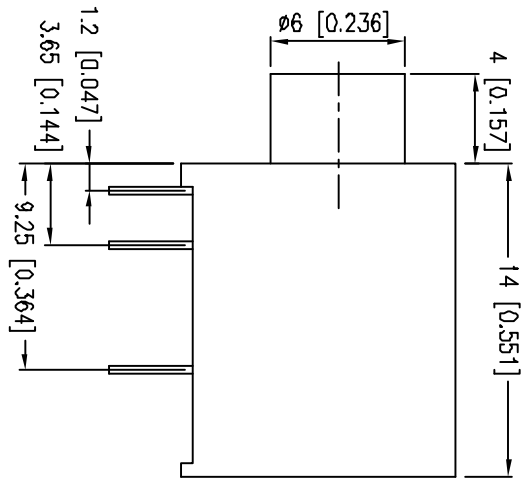
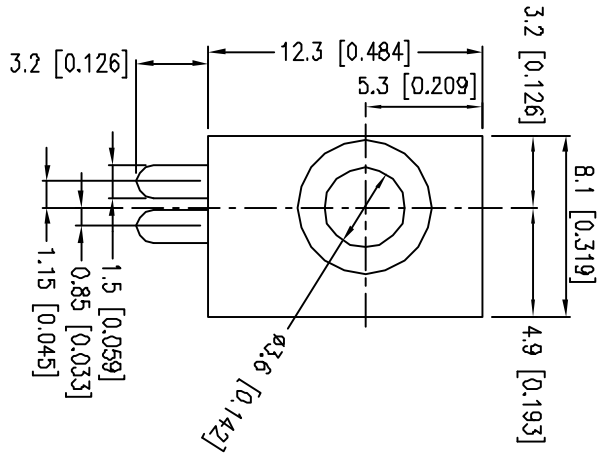
## Excellent Integrated System Limited

Stocking Distributor

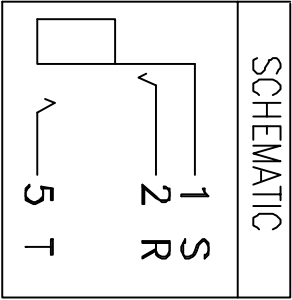
Click to view price, real time Inventory, Delivery & Lifecycle Information:

[CUI Inc.](#)  
[SJ-3533N](#)

For any questions, you can email us directly:  
[sales@integrated-circuit.com](mailto:sales@integrated-circuit.com)




HOLE LAYOUT  
(TOP VIEW)



**SPECIFICATIONS:**  
 RATING: 12V DC @ 1A  
 CONTACT RESISTANCE:  
 30 MOHMS MAX  
 INSULATION RESISTANCE:  
 100 MOHMS MIN @ 500V DC  
 WITHSTAND VOLTAGE:  
 500V AC FOR 1 MINUTE  
 LIFE: 5,000 CYCLES

PC FILE NAME:  
SJ-3533N.DWG

COPYRIGHT 1997 BY CUI INC.

TITLE: <b>3.5mm AUDIO JACK-STEREO</b>			
PART NO. SJ-3533N	UNITS: MM [INCHES]	<b>9615 SW Allen, Suite 103</b> <b>Beverlyton, OR 97006</b> <b>Phone: (503) 643-4899</b> <b>800-276-4899</b> <b>Fax: (503) 372-1266</b> <b>Website: www.cui.com</b>	
DRAWN BY:	APPROVED BY:	SCALE: 3X	