

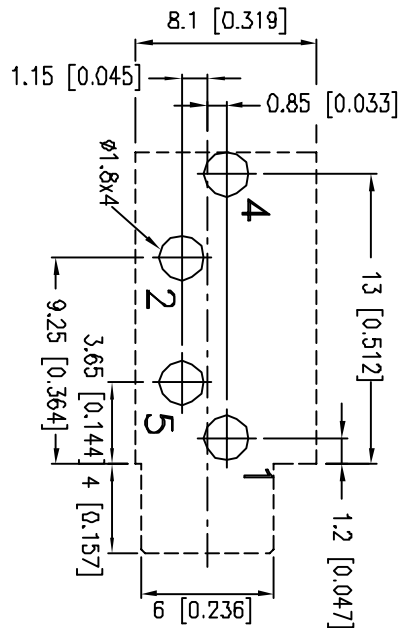
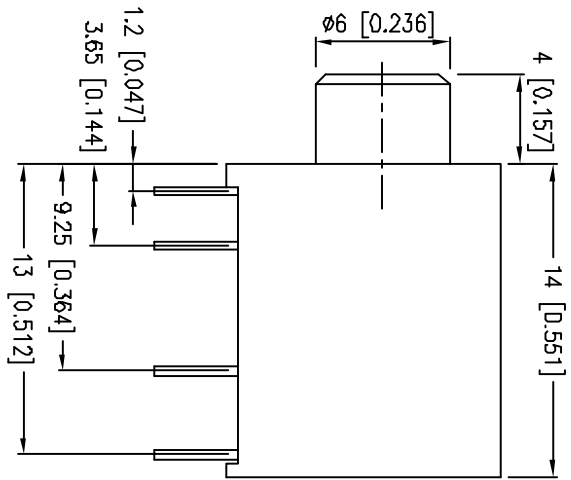
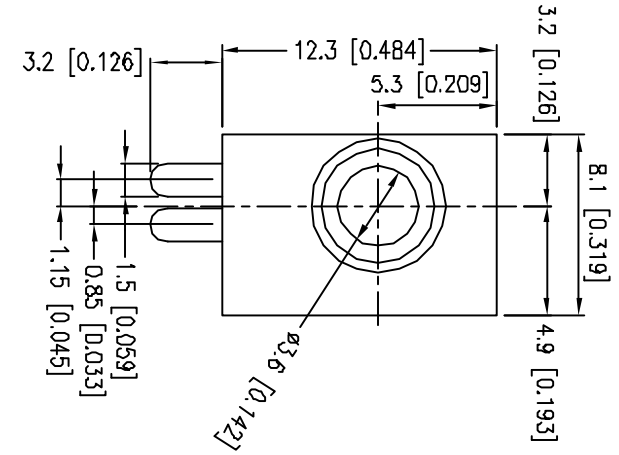
## **Excellent Integrated System Limited**

Stocking Distributor

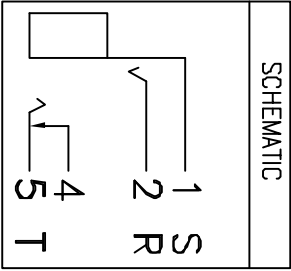
Click to view price, real time Inventory, Delivery & Lifecycle Information:

[CUI Inc.](#)  
[SJ-3534NG](#)

For any questions, you can email us directly:  
[sales@integrated-circuit.com](mailto:sales@integrated-circuit.com)



HOLE LAYOUT  
(TOP VIEW)



**SPECIFICATIONS:**  
 RATING: 12V DC @ 1A  
 CONTACT RESISTANCE:  
 30 mOHMS MAX  
 INSULATION RESISTANCE:  
 100 MOHMS MIN @ 500V DC  
 WITHSTAND VOLTAGE:  
 500V AC FOR 1 MINUTE  
 LIFE: 5,000 CYCLES

PC FILE NAME:  
SJ3534NG.DWG

COPYRIGHT 1997 BY CUI INC.

9615 SW Allen, Suite 103  
 Beaverton, OR 97006  
 Phone: (503) 643-4899  
 800-275-4899  
 Fax: (503) 372-1266  
 Website: www.cui.com



TITLE:  
**3.5mm AUDIO JACK - STEREO**

PART NO. SU-3534NG UNITS: MM [INCHES]

DRAWN BY: APPROVED BY:

SCALE:  
3X