

## Excellent Integrated System Limited

Stocking Distributor

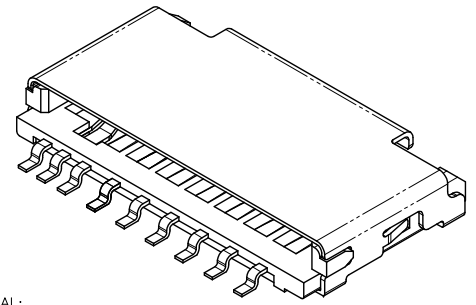
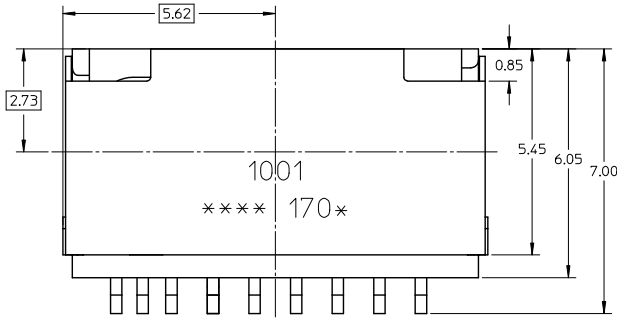
Click to view price, real time Inventory, Delivery & Lifecycle Information:

[Molex Connector Corporation](#)  
[1050271001](#)

For any questions, you can email us directly:

[sales@integrated-circuit.com](mailto:sales@integrated-circuit.com)

10 9 8 7 6 5 4 3 2 1



**NOTE:**

**1 MATERIAL:**

- 1-1 HOUSING : HIGH TEMPERATURE THERMOPLASTIC,UL 94V-0,BLACK.
- 1-2 SIGNAL TERMINAL AND DETECT TERMINAL : PHOSPHOR BRONZE, THICKNESS: 0.12MM.
- 1-3 METAL SHELL : STAINLESS STEEL, THICKNESS: 0.15MM.

**2 FINISH:**

- 2-1 SIGNAL TERMINAL : 1.25MICRON MIN NICKEL UNDER-PLATED, 0.75 MICRON MIN GOLD PLATING ON CONTACT AREA,GOLD FLASH PLATED ON SOLDER AREA
- 2-2 METAL SHELL : 1.25 MICRON MIN. NICKEL PLATING OVER ALL, GOLD FLASH PLATED ON SOLDER AREA
- 2-3 DETECT PIN : 1.25 MICRON MIN NICKEL UNDER-PLATED, 0.75 MICRON MIN GOLD PLATED ON CONTACT AREA, GOLD FLASH PLATED ON SOLDER AREA

**3 THE MARK '1001' MEANS WITH DETECT PIN TO PIN#8**

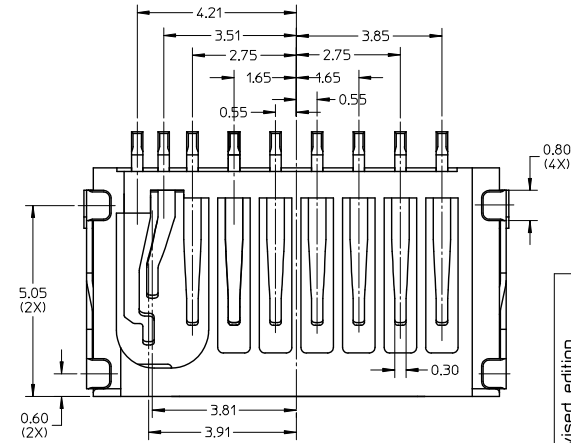
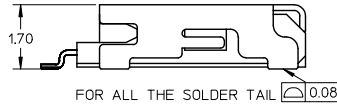
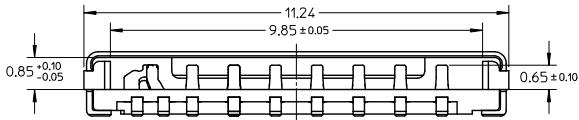
THE MARK '\* \* \* \* \*' MEANS THE DATE CODE, THE FIRST '\* \*' MEANS THE MANUFACTURE YEAR, THE FOLLOW '\* \* \* \* \*' MEANS THE MANUFACTURE DAY. FOR EXAMPLE '2006/01/02' SHOULD BE '6002'.

THE MARK '170' SHOW THE TOTAL HEIGHT 1.70MM OF THE PRODUCT, THE LAST '\* \*' IS SHIFT IDENTIFY CODE 'A,B,C'.

**4 PRODUCT SPECIFICATION: PS-105027-001.**

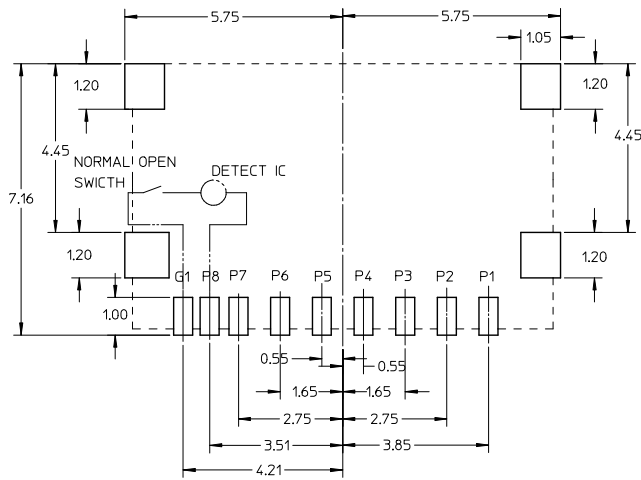
**5 PACKAGE SPECIFICATION: PK-105027-001.**

**6 COMPLIANT TO RoHS DIRECTIVE 2002/95/EC AND ELV 2000/53/EC.**



revised edition EC NO: SH2009-0498 DRW: LLIU10 CHK: YLZHU APPR: HWANG 2009/01/16 2009/01/20	QUALITY SYMBOLS ▽=0 ▽=0	GENERAL TOLERANCES (UNLESS SPECIFIED)		DIMENSION STYLE MM ONLY		SCALE 10:1	DESIGN UNITS METRIC	THIRD ANGLE PROJECTION
		4 PLACES ± --- ± --- 3 PLACES ± --- ± --- 2 PLACES ± 0.15 ± --- 1 PLACE ± 0.20 ± --- ANGULAR ± 1 °	DRAWN BY LLIU10 DATE 2008/05/08	CHECKED BY YLZHU DATE 2008/12/10	APPROVED BY HWANG DATE 2008/12/13	MATERIAL NO. 1050271001	DOCUMENT NO. SD-105027-101	TITLE 1.7H TFR HEADER DETECT PIN WITH PIN8
DRAFT WHERE APPLICABLE MUST REMAIN WITHIN DIMENSIONS		THIS DRAWING CONTAINS INFORMATION THAT IS PROPRIETARY TO MOLEX INCORPORATED AND SHOULD NOT BE USED WITHOUT WRITTEN PERMISSION						

9 8 7 6 5 4 3 2 1



RECOMMEND PCB LAYOUT  
TOLERANCE OF PCB LAYOUT:±0.05  
- - - - - CONNECTOR PROFILE

G1	SWITCH1
P8	SWITCH2
P7	D0
P6	VSS
P5	SCLK
P4	VDD
P3	DI
P2	CS
P1	RSV
PIN NUMBER	PIN NAME

see sheet1 EC NO: SH2009-0498 DRAWN BY: LLIU10 CHKD: YLZHU APPR: HWANG 2009/01/20	QUALITY SYMBOLS	GENERAL TOLERANCES (UNLESS SPECIFIED)	DIMENSION STYLE MM ONLY	SCALE 10:1	DESIGN UNITS METRIC	THIRD ANGLE PROJECTION
	▽=0	4 PLACES ± --- ± ---	DRAWN BY DATE LLIU10 2008/05/08	TITLE 1.7H TFR HEADER DETECT PIN WITH PIN8		
	▽=0	3 PLACES ± --- ± ---	CHECKED BY DATE YLZHU 2008/12/10	APPROVED BY DATE HWANG 2008/12/13		
		2 PLACES ± 0.15 ± ---	MATERIAL NO. 1050271001			
	1 PLACE ± 0.20 ± ---	DOCUMENT NO. SD-105027-101				
	ANGULAR ± 1 °	SHEET NO. 2 OF 2				
DRAFT WHERE APPLICABLE MUST REMAIN WITHIN DIMENSIONS		THIS DRAWING CONTAINS INFORMATION THAT IS PROPRIETARY TO MOLEX INCORPORATED AND SHOULD NOT BE USED WITHOUT WRITTEN PERMISSION				