

Excellent Integrated System Limited

Stocking Distributor

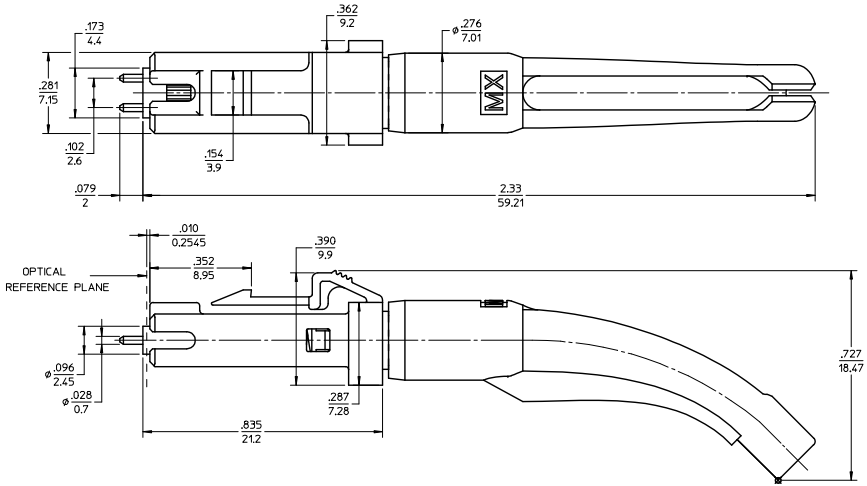
Click to view price, real time Inventory, Delivery & Lifecycle Information:

[Molex Connector Corporation](#)
[1060033310](#)

For any questions, you can email us directly:

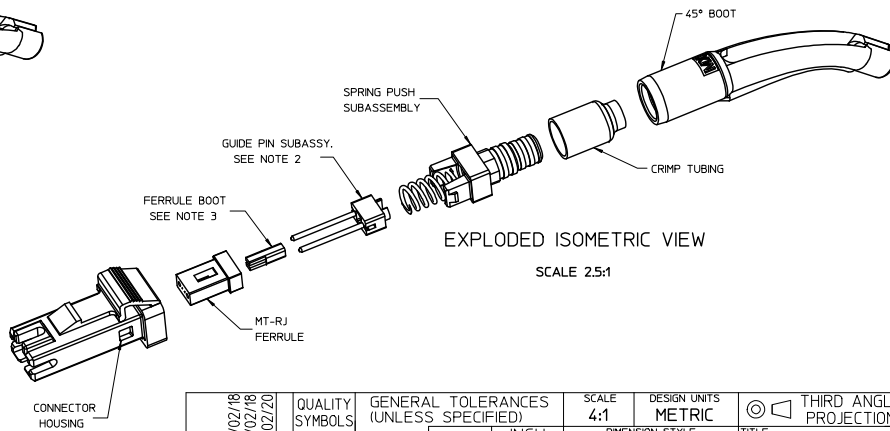
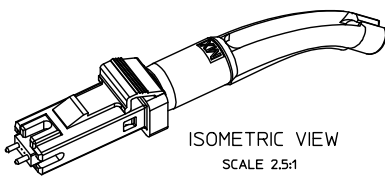
sales@integrated-circuit.com

CONNECTOR P/N	CONNECTOR TYPE	BOOT COLOR	CABLE TYPE
106002-3300	MALE MULTIMODE	BEIGE	2 FIBER DUAL LINK ø2.8mm JACKET &
106003-3300	FEMALE MULTIMODE	BEIGE	2 FIBER RIBBON ø2.9mm JKT
106002-3310	MALE MULTIMODE	BEIGE	2 FIBER ZIFCORD
106003-3310	FEMALE MULTIMODE	BEIGE	3.5mm X 1.6mm



AVAILABLE CABLE TYPES

CABLE TYPE 1	CABLE TYPE 2	CABLE TYPE 3
2 FIBER DUAL LINK ø2.8mm JACKET	2 FIBER ZIFCORD 3.5mm X 1.6mm	2 FIBER RIBBON ø2.9mm JACKET



- NOTES:
1. ALL DIMENSIONS ARE FOR REFERENCE ONLY.
 2. MALE CONNECTOR SHOWN.
FEMALE CONNECTOR DOES NOT CONTAIN PINS.
 3. CABLE TYPE 1 & 2 DO NOT REQUIRE FERRULE BOOT.

EC. NO.: MF2009-0440 DRAWN: KFEVZNER2009/02/18 CHKD: 2009/02/18 APPR: GUMIN 2009/02/20	QUALITY SYMBOLS	GENERAL TOLERANCES (UNLESS SPECIFIED)	SCALE 4:1	DESIGN UNITS METRIC	THIRD ANGLE PROJECTION	REVISE ON CAD ONLY
	DESCRIPTION	4 PLACES ± .005	mm	IN/MM	TITLE MT-RJ CONNECTOR 45 DEGREE BOOT	
		3 PLACES ± .005	INCH			
		2 PLACES ± .005			DRAWN BY BG DATE 07/01/2002	
1 PLACE ± .005	ANGULAR ± 1/2°	DRAFT WHERE APPLICABLE MUST REMAIN WITHIN DIMENSIONS	CHECKED BY VCH DATE 07/01/2002	APPROVED BY SM DATE 07/01/2002	MATERIAL NO. SEE TABLE SD-10600X-33X0	SHEET NO. 1 OF 1
THIS DRAWING CONTAINS INFORMATION THAT IS PROPRIETARY TO MOLEX INCORPORATED AND SHOULD NOT BE USED WITHOUT WRITTEN PERMISSION						