

## Excellent Integrated System Limited

Stocking Distributor

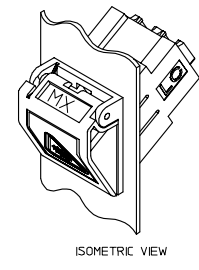
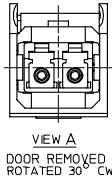
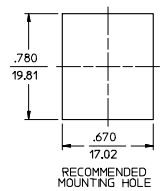
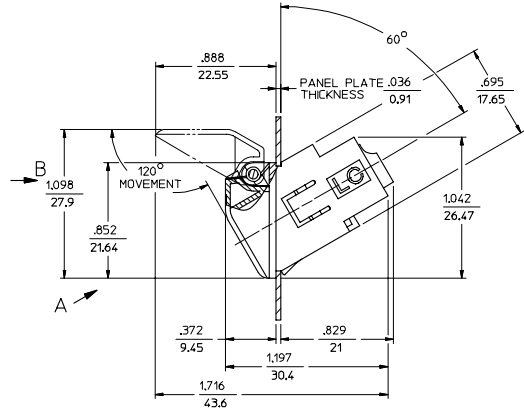
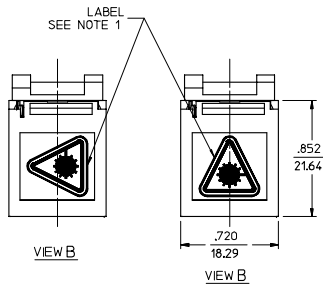
Click to view price, real time Inventory, Delivery & Lifecycle Information:

[Molex Connector Corporation](#)  
[1060043079](#)

For any questions, you can email us directly:

[sales@integrated-circuit.com](mailto:sales@integrated-circuit.com)

KIT P/N	ADAPTER COLOR	SLEEVE MATERIAL	BEZEL COLOR
106004-3078	BLUE	ZIRCONIA	BLACK
106004-3079	BEIGE	PHOSPHOR BRONZE	BLACK



NOTES:  
1. LABEL TO BE INSTALLED BY CUSTOMER.

ENTER DESCRIPTION EC NO: MF-2006-0262 DRAWN/PACIFIC I 2005/10/18 CHKD: 2005/10/18 APPR: IGM/IN 2005/10/18	QUALITY SYMBOLS ▽=0 ▽=0	GENERAL TOLERANCES (UNLESS SPECIFIED)		DIMENSION STYLE	SCALE	DESIGN UNITS	THIRD ANGLE PROJECTION	
		mm	INCH	IN/MM	2:1	INCH		
DRAFT WHERE APPLICABLE MUST REMAIN WITHIN DIMENSIONS	4 PLACES	±---	±---	DRAWN BY	DATE	MATERIAL NO. SD-106004-307X	MOLEX INCORPORATED	
	3 PLACES	±---	±---	RPACIFIC I	2005/10/18			DOCUMENT NO. SD-106004-307X
	2 PLACES	±---	±---	CHECKED BY	DATE			
1 PLACE	±---	±---	APPROVED BY	DATE	THIS DRAWING CONTAINS INFORMATION THAT IS PROPRIETARY TO MOLEX INCORPORATED AND SHOULD NOT BE USED WITHOUT WRITTEN PERMISSION			