

Excellent Integrated System Limited

Stocking Distributor

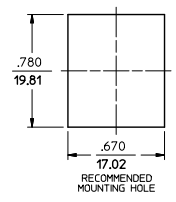
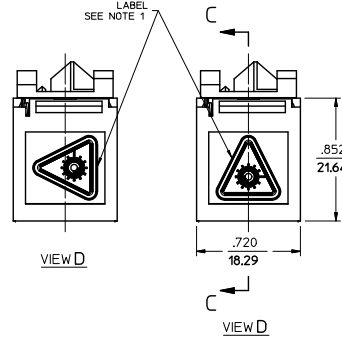
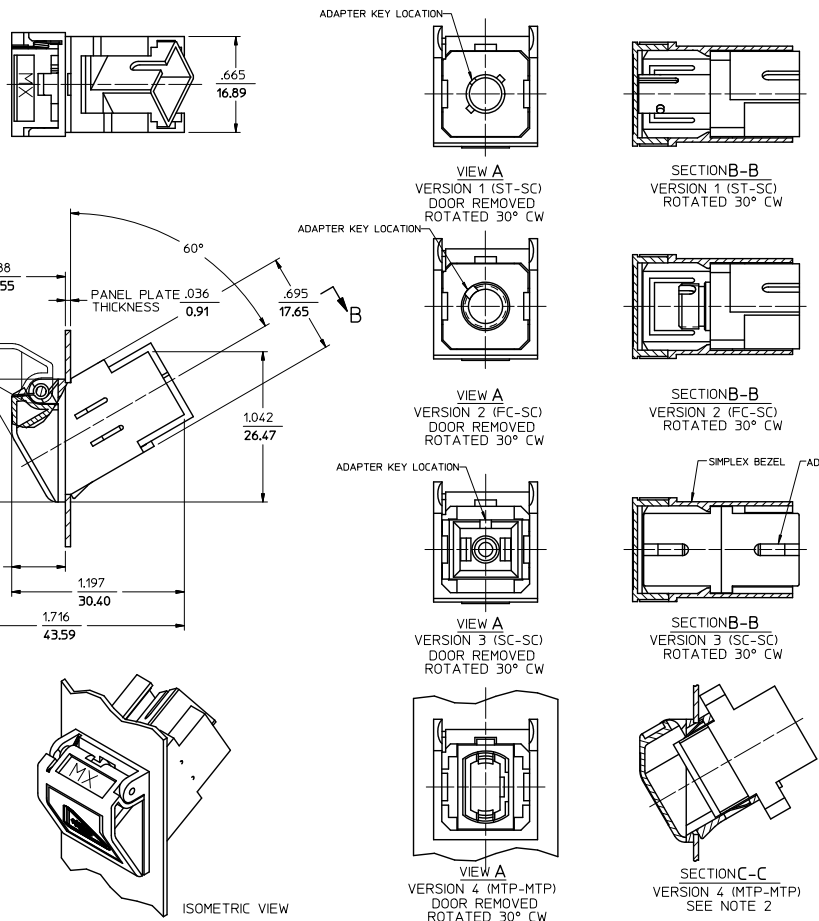
Click to view price, real time Inventory, Delivery & Lifecycle Information:

[Molex Connector Corporation](#)
[1060043082](#)

For any questions, you can email us directly:

sales@integrated-circuit.com

| BEZEL P/N | ADAPTER P/N | VERSION | SLEEVE MATERIAL | ADAPTER COLOR | LABEL P/N |
|-------------|-------------|-------------|-----------------|---------------|-------------|
| 106004-3080 | 106160-0980 | 1 (ST-SC) | PHOSPHOR BRONZE | | |
| 106004-3081 | 106161-0980 | | ZIRCONIA | METAL | |
| 106004-3082 | 106160-0970 | 2 (FC-SC) | PHOSPHOR BRONZE | | |
| 106004-3083 | 106161-0970 | | ZIRCONIA | | |
| 106004-3084 | 106171-0160 | 3 (SC-SC) | PHOSPHOR BRONZE | BLACK | 106004-3013 |
| 106004-3085 | 106170-0160 | | ZIRCONIA | BLACK | |
| 106004-3086 | 106171-0170 | | PHOSPHOR BRONZE | RED | |
| 106004-3087 | 106170-0170 | | ZIRCONIA | BLUE | |
| 106004-3075 | 106170-0160 | | | | |
| 106004-3088 | 86181-0000 | 4 (MTP-MTP) | N/A | BLACK | |
| 106004-3089 | 86181-0007 | | | | |
| 106004-3076 | 106170-0170 | 3 (SC-SC) | ZIRCONIA | RED | |
| 106004-3093 | 106171-0160 | 3 (SC-SC) | PHOSPHOR BRONZE | BLACK | 106170-0404 |



- NOTES:
- LABEL TO BE INSTALLED BY CUSTOMER.
 - MTP-MTP ADAPTER (VERSION 4) TO BE ASSEMBLED BY CUSTOMER, AFTER BEZEL IS INSTALLED IN PANEL CUTOUT.
 - FOR VERSIONS 1, 2, AND 3 ADAPTERS TO BE ASSEMBLED WITH BEZEL. DUST CAPS ON VERSIONS 1, 2, AND 3 TO BE REMOVED ON DOOR SIDE.

| | | | | | | | | | | | | | | |
|--|-------------------------------|---------------------------------------|-------------------------|---|------------------------|----------------------|--------------------------------|--------------------|----------------------------------|--------------------|------------------------------------|--------------------------------|------------------------------------|---------------------|
| ENTER DESCRIPTION EC NO: MF2012-0258 DRAWN: PEVNER 2011/11/14 CHKD: GUMIN APPR: GUMIN 2011/11/14 | QUALITY SYMBOLS ▽=0 ▽=0 | GENERAL TOLERANCES (UNLESS SPECIFIED) | | DIMENSION STYLE IN/MM | SCALE 4:1 | DESIGN UNITS INCH | THIRD ANGLE PROJECTION | | | | | | | |
| | | 4 PLACES ± .005 ± .0005 | 3 PLACES ± .005 ± .0005 | 2 PLACES ± .005 ± .0005 | 1 PLACE ± .005 ± .0005 | ANGULAR ± 1/2° | DRAWN BY PGIBLIN 2005/11/08 | CHECKED BY DATE | APPROVED BY IGUMIN 2011/11/14 | DATE 2011/11/14 | TITLE SIMPLEX BEZEL ADAPTER KIT | MATERIAL NO. SD-106004-308X | DOCUMENT NO. MOLEX INCORPORATED | SHEET NO. 1 OF 1 |
| DRAFT WHERE APPLICABLE MUST REMAIN WITHIN DIMENSIONS | | SIZE C | | THIS DRAWING CONTAINS INFORMATION THAT IS PROPRIETARY TO MOLEX INCORPORATED AND SHOULD NOT BE USED WITHOUT WRITTEN PERMISSION | | | | | | | | | | |