

## Excellent Integrated System Limited

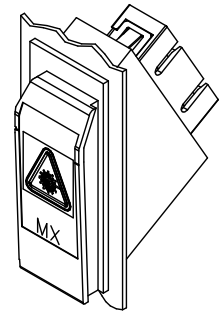
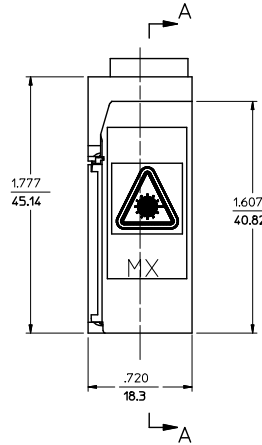
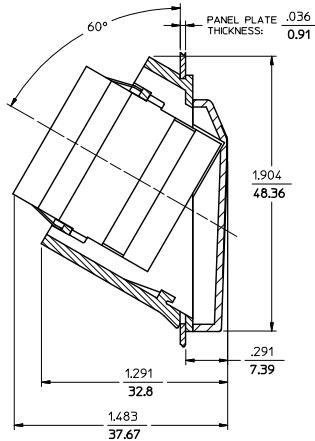
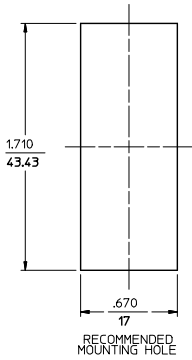
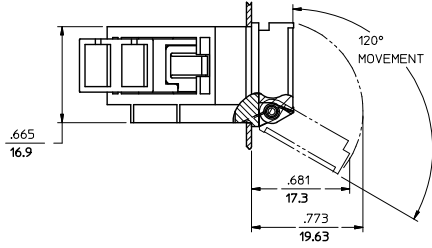
Stocking Distributor

Click to view price, real time Inventory, Delivery & Lifecycle Information:

[Molex Connector Corporation](#)  
[1060043182](#)

For any questions, you can email us directly:  
[sales@integrated-circuit.com](mailto:sales@integrated-circuit.com)

BEZEL P/N	SLEEVE MATERIAL	ADAPTER COLOR
106004-3180	PHOSPHOR BRONZE	BLACK
106004-3181	ZIRCONIA	
106004-3182	PHOSPHOR BRONZE	BLUE
106004-3183	ZIRCONIA	



NOTE:  
LABEL TO BE INSTALLED BY CUSTOMER

ENTER DESCRIPTION EC NO: MF2009-0377 DRAWN/REVZNER 2009/02/06 CHKD: 2009/02/06 APPR: I.G.M/N.I. 2009/02/10	QUALITY SYMBOLS ▽=0 ∇=0	GENERAL TOLERANCES (UNLESS SPECIFIED)		DIMENSION STYLE		SCALE	DESIGN UNITS	THIRD ANGLE PROJECTION	
				IN/MM		1:1	INCH		
		4 PLACES ± --- ± --- 3 PLACES ± --- ± --- 2 PLACES ± --- ± --- 1 PLACE ± --- ± ---		DRAWN BY: RPACIFIC1 DATE: 2005/10/18 CHECKED BY:		TITLE: DUPLEX BEZEL ADAPTER KIT (SC-SC)			
		ANGULAR ±1/2°		APPROVED BY: DATE:		MOLEX INCORPORATED			
DRAFT WHERE APPLICABLE MUST REMAIN WITHIN DIMENSIONS		MATERIAL NO. SEE TABLE		DOCUMENT NO. SD-106004-318X		SHEET NO. 1 OF 01			
THIS DRAWING CONTAINS INFORMATION THAT IS PROPRIETARY TO MOLEX INCORPORATED AND SHOULD NOT BE USED WITHOUT WRITTEN PERMISSION									