

Excellent Integrated System Limited

Stocking Distributor

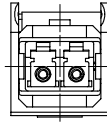
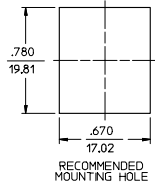
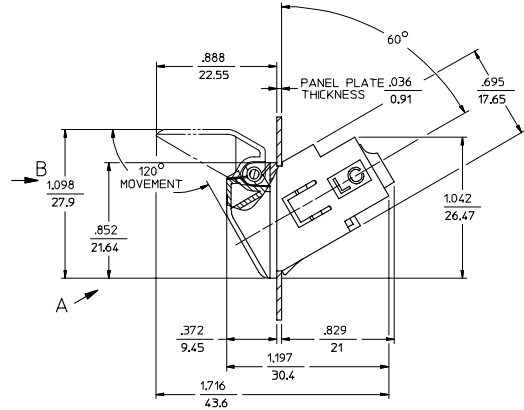
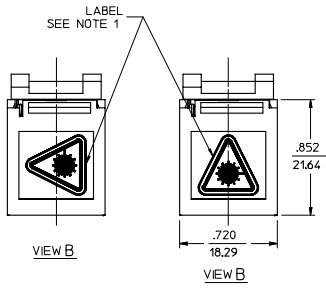
Click to view price, real time Inventory, Delivery & Lifecycle Information:

[Molex Connector Corporation](#)
[1060043378](#)

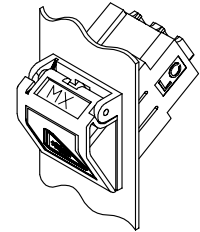
For any questions, you can email us directly:

sales@integrated-circuit.com

KIT P/N	SLEEVE MATERIAL
106004-3378	ZIRCONIA
106004-3379	PHOSPHOR BRONZE



VIEW A
DOOR REMOVED
ROTATED 30° CW



ISOMETRIC VIEW

NOTES:
1. LABEL TO BE INSTALLED BY CUSTOMER.

ENTER DESCRIPTION IEC NO: MF-2006-0262 DRAWN/PACIFIC I 2005/12/14 CHKD: 2005/12/14 APPR: IGM/IN 2005/12/14 REV: A	QUALITY SYMBOLS ▽=0 ▽=0	GENERAL TOLERANCES (UNLESS SPECIFIED)		DIMENSION STYLE IN/MM	SCALE 2:1	DESIGN UNITS INCH	THIRD ANGLE PROJECTION		
		4 PLACES ±--- ±---	3 PLACES ±--- ±---	2 PLACES ±--- ±---	1 PLACE ±--- ±---	DRAWN BY _____ DATE _____	METALIZED LC BEZEL ADAPTER KITS		
		ANGULAR ±1/2°				CHECKED BY _____ DATE _____	MOLEX INCORPORATED		
		DRAFT WHERE APPLICABLE MUST REMAIN WITHIN DIMENSIONS		MATERIAL NO. SEE TABLE	DOCUMENT NO. SD-106004-337X	SHEET NO. 1 OF 01			