

Excellent Integrated System Limited

Stocking Distributor

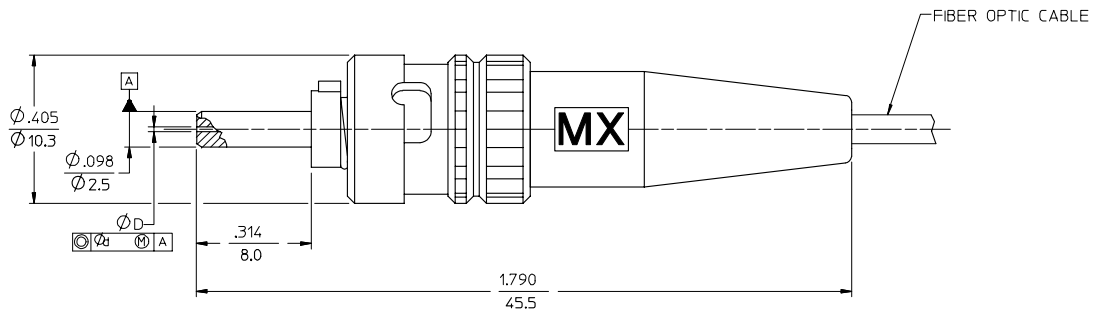
Click to view price, real time Inventory, Delivery & Lifecycle Information:

[Molex Connector Corporation](#)
[1060103100](#)

For any questions, you can email us directly:

sales@integrated-circuit.com

CONNECTOR P/N	ØD (mm)	Ød (mm)	MATERIAL of FERRULE	BOOT COLOR	CABLE TYPE
106010-0100	127.0 ^{+3.0} ₀	5.0	Zr PLUS	BLACK	MULTIMODE
106010-0110*				RED	
106010-0140					
106010-0160*					
106010-2100	125.5 ^{+1.0} ₀	1.0	Zr		SINGLE MODE
106010-3110	128.0 ^{+2.0} ₀	3.0		BLUE	MULTIMODE
106010-3100				BLACK	
106010-5100	126.0 ^{+1.0} ₀	1.0		YELLOW	SINGLE MODE
106010-5130					



NOTES:

1. DUST CAP NOT SHOWN BUT INCLUDED.

*2. P/Ns 106010-0110 AND 106010-0160 ARE BULK PACKED IN QUANTITIES OF 100 PCS.

ENTER DESCRIPTION EC NO: ME2006-0490 DRAWN: RPACIFCI CHKD: LUMIN APPR: LUMIN	2006/02/09 2006/02/09 2006/02/09	QUALITY SYMBOLS ▽=0 ▽=0	GENERAL TOLERANCES (UNLESS SPECIFIED)		DIMENSION STYLE IN/MM	SCALE 5:1	DESIGN UNITS INCH	THIRD ANGLE PROJECTION
			4 PLACES ±--- ±--- 3 PLACES ±--- ±--- 2 PLACES ±--- ±--- 1 PLACE ±--- ±--- ANGULAR ±1/2°	DRAWN BY RPACIFCI	DATE 2006/01/24	TITLE ST CONNECTOR 1.6MM AND 2.0MM CABLE		
DRAFT WHERE APPLICABLE MUST REMAIN WITHIN DIMENSIONS			MATERIAL NO. SEE TABLE		APPROVED BY DATE		MOLEX INCORPORATED	
REV B			SIZE B		DOCUMENT NO. SD-106010-X1X0		SHEET NO. 1 OF 1	
THIS DRAWING CONTAINS INFORMATION THAT IS PROPRIETARY TO MOLEX INCORPORATED AND SHOULD NOT BE USED WITHOUT WRITTEN PERMISSION								