

Excellent Integrated System Limited

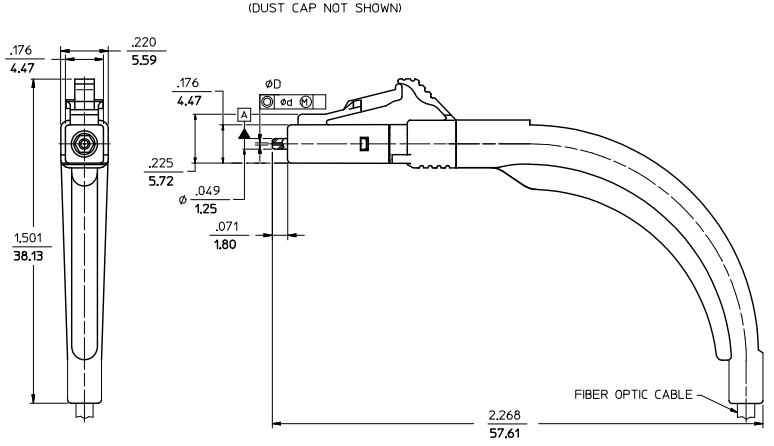
Stocking Distributor

Click to view price, real time Inventory, Delivery & Lifecycle Information:

[Molex Connector Corporation](#)
[1060245400](#)

For any questions, you can email us directly:
sales@integrated-circuit.com

CONNECTOR P/N	ØD (H41)	Ød (H41)	CONNECTOR BODY COLOR	BOOT COLOR	CABLE Ø (mm)	CABLE TYPE	
106024-2400	125.50 ^{+0.50} ₀	1.0	BLUE	WHITE	1.6	SINGLE MODE	
106024-2600					2.0		
106024-3400	127.00 ^{+2.00} ₀	3.0	BEIGE	WHITE	1.6	MULTIMODE	
106024-3600				BEIGE	2.0		
106024-3610							
106024-4400	125.00 ^{+0.50} ₀	1.0	BLUE	WHITE	1.6	SINGLE MODE	
106024-4600				WHITE	2.0		
106024-5400				BEIGE	1.6		
106024-2610				WHITE	2.0		
106024-5600	YELLOW	1.6					
106024-5610	RED	2.0					
106024-5700	125.25 ^{+0.50} ₀	0.5	BLUE	WHITE	1.6		
106024-6400				WHITE	2.0		
106090-4150	125.10-125.50	0.5	BLUE	WHITE	1.6		SINGLE MODE
106090-4170				WHITE	2.0		
106090-4180	125.51-125.90	0.5	BLUE	WHITE	1.6		
106090-4190				WHITE	2.0		
106090-2940	125.50 ^{+0.50} ₀	0.5	BLUE	WHITE	1.6		
106090-2960				WHITE	2.0		
106090-4140	125.00 ^{+0.50} ₀	0.5	BLUE	WHITE	1.6		
106090-4160				WHITE	2.0		
106090-6140	125.25 ^{+0.50} ₀	0.5	BLUE	YELLOW	1.6		
106090-6160				YELLOW	2.0		
106090-6170	125.25 ^{+0.50} ₀	0.5	BLUE	WHITE	1.6		
106090-6145				WHITE	2.0		
106090-6165				YELLOW	1.6		
106090-6175							



ENTER DESCRIPTION IEC NO: MF2013-0244 DRAWN BY: ZHANGPEIZHNER 2012/10/29 CHKD: LADMN APPR: LADMN 2012/10/31 REV:	QUALITY SYMBOLS ▽=0 ▽=0	GENERAL TOLERANCES (UNLESS SPECIFIED)		DIMENSION STYLE IN/MM	SCALE 4:1	DESIGN UNITS INCH	THIRD ANGLE PROJECTION
		4 PLACES ± --- ± --- 3 PLACES ± --- ± --- 2 PLACES ± --- ± --- 1 PLACE ± --- ± --- 0 PLACE ± --- ± ---	DRAWN BY: PGIBLIN DATE: 2005/09/02 CHECKED BY: DATE: APPROVED BY: DATE:	TITLE LC CONNECTOR (90D BOOT)			
ANGLUAR ±1/2° DRAFT WHERE APPLICABLE MUST REMAIN WITHIN DIMENSIONS		MATERIAL NO. SEE TABLE SIZE C		DOCUMENT NO. SD-1060BB-BBBB		SHEET NO. 1 OF 1	
THIS DRAWING CONTAINS INFORMATION THAT IS PROPRIETARY TO MOLEX INCORPORATED AND SHOULD NOT BE USED WITHOUT WRITTEN PERMISSION							