

Excellent Integrated System Limited

Stocking Distributor

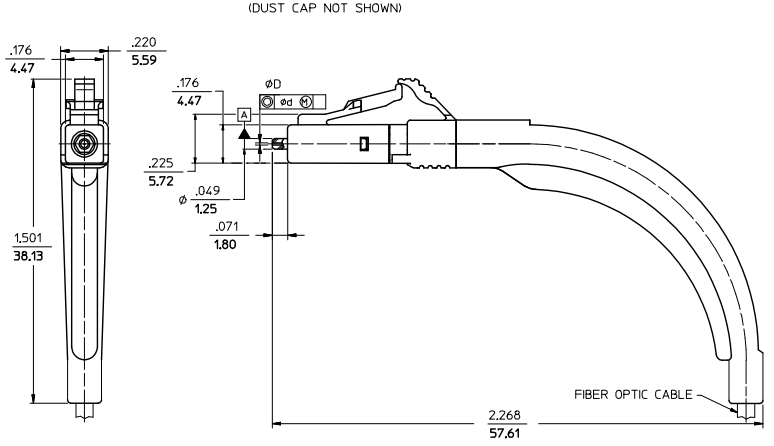
Click to view price, real time Inventory, Delivery & Lifecycle Information:

[Molex Connector Corporation](#)
[1060245600](#)

For any questions, you can email us directly:

sales@integrated-circuit.com

CONNECTOR P/N	ØD (H41)	Ød (H41)	CONNECTOR BODY COLOR	BOOT COLOR	CABLE Ø (mm)	CABLE TYPE
106024-2400	125.50 ^{+0.50} ₀	1.0	BLUE	WHITE	1.6	SINGLE MODE
106024-2600					2.0	
106024-3400				WHITE	1.6	MULTIMODE
106024-3600	127.00 ^{+2.00} ₀	3.0	BEIGE		2.0	
106024-3610				BEIGE		
106024-4400	125.00 ^{+0.50} ₀			WHITE	1.6	SINGLE MODE
106024-4600					2.0	
106024-5400				BEIGE	1.6	
106024-2610	126.00 ^{+1.00} ₀	1.0		BEIGE		
106024-5600				WHITE	2.0	
106024-5610				YELLOW		
106024-5700				RED		
106024-6400	125.25 ^{+0.50} ₀				1.6	
106024-6600					2.0	
106090-4150					1.6	
106090-4170	125.10-125.50		BLUE		2.0	
106090-4180					1.6	
106090-4190	125.51-125.90			WHITE	2.0	
106090-2940	125.50 ^{+0.50} ₀				1.6	
106090-2960					2.0	
106090-4140	125.00 ^{+0.50} ₀	0.5			1.6	
106090-4160					2.0	
106090-6140					1.6	
106090-6160					2.0	
106090-6170	125.25 ^{+0.50} ₀			YELLOW	1.6	
106090-6145				WHITE	1.6	
106090-6165				WHITE	2.0	
106090-6175				YELLOW	1.6	



ENTER DESCRIPTION IEC NO: MF2013-0244 DRAWN BY: ZHANGPEIZHNER 2012/10/29 CHKD: LHM APPR: LHM 2012/10/31	QUALITY SYMBOLS ▽=0 ▽=0	GENERAL TOLERANCES (UNLESS SPECIFIED)		DIMENSION STYLE IN/MM		SCALE 4:1	DESIGN UNITS INCH	THIRD ANGLE PROJECTION
		4 PLACES ± --- ± --- 3 PLACES ± --- ± --- 2 PLACES ± --- ± --- 1 PLACE ± --- ± --- 0 PLACE ± --- ± ---	DRAWN BY: PGIBLIN DATE: 2005/09/02	TITLE LC CONNECTOR (90D BOOT)			MATERIAL NO. DOCUMENT NO. SD-1060BB-BBBB	
ANGLUAR ±1/2° DRAFT WHERE APPLICABLE MUST REMAIN WITHIN DIMENSIONS		SEE TABLE		THIS DRAWING CONTAINS INFORMATION THAT IS PROPRIETARY TO MOLEX INCORPORATED AND SHOULD NOT BE USED WITHOUT WRITTEN PERMISSION				