

## Excellent Integrated System Limited

Stocking Distributor

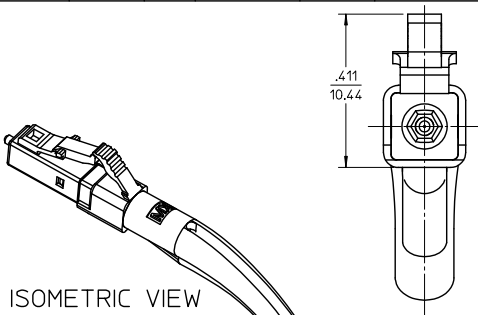
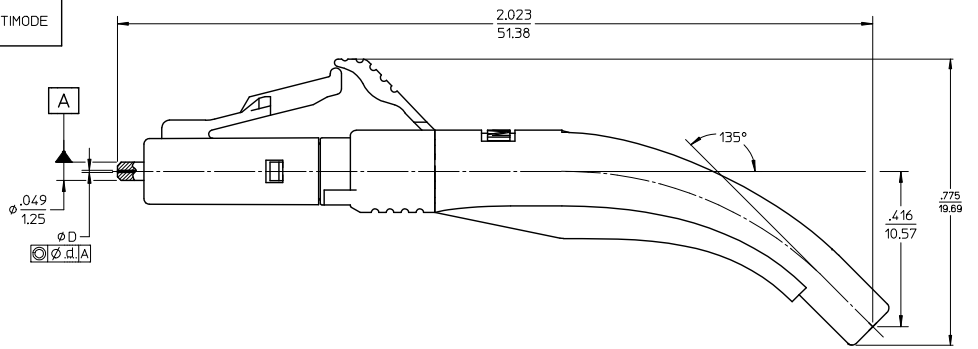
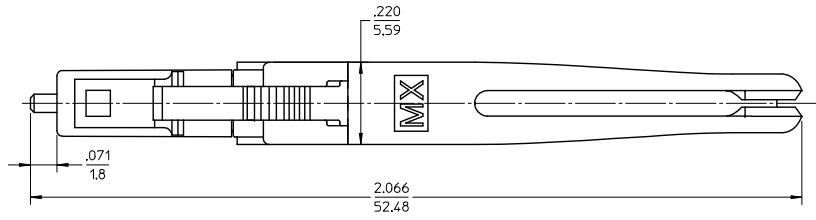
Click to view price, real time Inventory, Delivery & Lifecycle Information:

[Molex Connector Corporation](#)  
[1060247145](#)

For any questions, you can email us directly:

[sales@integrated-circuit.com](mailto:sales@integrated-circuit.com)

CONNECTOR P/N	ØD (Hm)	Ød (Hm)	CONN. BODY COLOR	BOOT COLOR	CABLE Ø (mm)	CABLE TYPE
106024-7110	125 <sup>+0.5</sup> <sub>0</sub>	0.5	BLUE	WHITE	1.6	SINGLE MODE
106024-7115	125.25 <sup>+0.5</sup> <sub>0</sub>				1.6 ZIPCORD & 2	
106024-7120					1.6	
106024-7125					1.6 ZIPCORD & 2	
106024-7130					1.6	
106024-7135					1.6 ZIPCORD & 2	
106024-7140		126 <sup>+1</sup> <sub>0</sub>	1	BLUE	WHITE	1.6
106024-7145	125.5 <sup>+0.5</sup> <sub>0</sub>	1.6 ZIPCORD & 2				
106024-7150		1.6				
106024-7155		1.6 ZIPCORD & 2				
106024-7160		1.6				
106024-7165		1.6 ZIPCORD & 2				
106024-7170		125.5 <sup>+0.5</sup> <sub>0</sub>	3	BEIGE	WHITE	1.6
106024-7175	127 <sup>+3</sup> <sub>0</sub>	1.6 ZIPCORD & 2				
106024-7180		1.6				
106024-7185		1.6 ZIPCORD & 2				



ISOMETRIC VIEW  
SCALE 2:1

NOTES:  
1. ALL DIMENSIONS ARE FOR REFERENCE ONLY.  
2. DUST CAP IS NOT SHOWN.

ENTER DESCRIPTION E.C. NO: ME2013-0244 DRAWN/REVIZNER: 2012/10/29 CHKD: GUMIN APPR: GUMIN 2012/10/31	QUALITY SYMBOLS	GENERAL TOLERANCES (UNLESS SPECIFIED)	DIMENSION STYLE	SCALE	DESIGN UNITS	THIRD ANGLE PROJECTION																		
	▽=0 ▽=0	<table border="1"> <tr> <th></th> <th>mm</th> <th>INCH</th> </tr> <tr> <td>4 PLACES</td> <td>± .15</td> <td>± .005</td> </tr> <tr> <td>3 PLACES</td> <td>± .10</td> <td>± .004</td> </tr> <tr> <td>2 PLACES</td> <td>± .08</td> <td>± .003</td> </tr> <tr> <td>1 PLACE</td> <td>± .05</td> <td>± .002</td> </tr> <tr> <td>0 PLACE</td> <td>± .03</td> <td>± .001</td> </tr> </table>		mm	INCH	4 PLACES	± .15	± .005	3 PLACES	± .10	± .004	2 PLACES	± .08	± .003	1 PLACE	± .05	± .002	0 PLACE	± .03	± .001	IN/MM	4:1	INCH	
		mm	INCH																					
	4 PLACES	± .15	± .005																					
3 PLACES	± .10	± .004																						
2 PLACES	± .08	± .003																						
1 PLACE	± .05	± .002																						
0 PLACE	± .03	± .001																						
	DRAWN BY: PGIBLIN DATE: 2005/09/06 CHECKED BY: DATE: APPROVED BY: DATE:																							
	MATERIAL NO. SEE TABLE DOCUMENT NO. SD-106024-71XX SHEET NO. 1 OF 1	ANGULAR ±1/2° DRAFT WHERE APPLICABLE MUST REMAIN WITHIN DIMENSIONS	TITLE: LC CONNECTOR 45 DEGREE BOOT 																					