

Excellent Integrated System Limited

Stocking Distributor

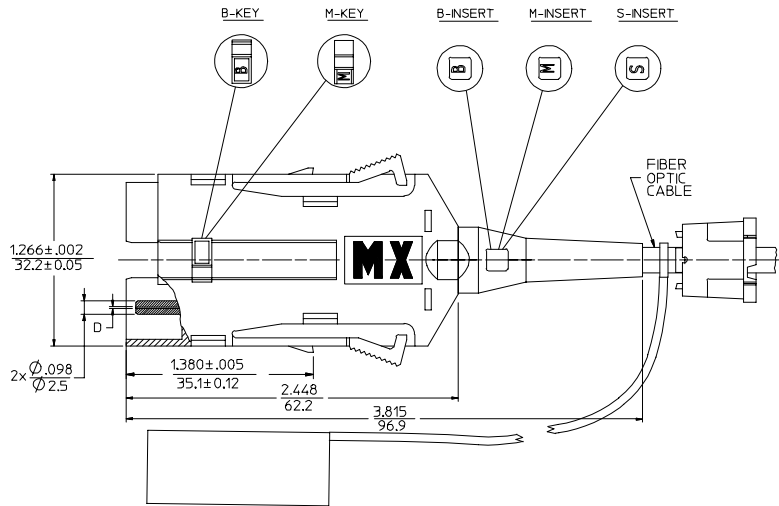
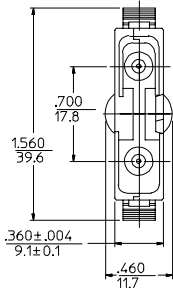
Click to view price, real time Inventory, Delivery & Lifecycle Information:

[Molex Connector Corporation](#)
[1060300200](#)

For any questions, you can email us directly:

sales@integrated-circuit.com

ØD (4m)	P/N OF CONNECTOR	FERRULE MATERIAL	CONNECTOR COLOR	CABLE TYPE
127	106030-0000	Zr PLUS	BLACK	Ø4.1 mm NON-PLENUM
	106030-0100			Ø4.8 mm NON-PLENUM
	106030-0200			ZPCORD
	106030-0210*			MULTIMODE
128	106030-3000	Zr		Ø4.1 mm NON-PLENUM
	106030-3100			Ø4.8 mm NON-PLENUM
	106030-3200			ZPCORD



NOTES:

- INSERTS "A", "B" AND "M" SHOULD MATCH KEY TYPES "A", "B" AND "M" RESPECTIVELY. CONNECTOR WITHOUT KEY IS "S" TYPE, AND SHOULD HAVE S-INSERT. ORIENTATION OF KEYS AND INSERTS IS AS PER DRAWING.
- P/N 106030-0210 IS BULK PACKED IN QUANTITIES OF 100 PCS.

ENTER DESCRIPTION EC NO: MF-2006-0424 DRAWN/PACIFIC I CHKD: 2006/07/24 APPR: IGM/IN 2006/07/24 REV:	QUALITY SYMBOLS ▽=0 ▽=0	GENERAL TOLERANCES (UNLESS SPECIFIED)		DIMENSION STYLE IN/MM	SCALE 2:1	DESIGN UNITS INCH	THIRD ANGLE PROJECTION
		4 PLACES ±--- ±--- 3 PLACES ±--- ±--- 2 PLACES ±--- ±--- 1 PLACE ±--- ±--- ANGULAR ±1/2°	mm INCH	DRAWN BY RPACIFIC I	DATE 2005/12/22	TITLE FDDI CONNECTOR (4.2-4.8 MM CABLE)	
DRAFT WHERE APPLICABLE MUST REMAIN WITHIN DIMENSIONS		APPROVED BY		DATE		MOLEX INCORPORATED	
		MATERIAL NO.		DOCUMENT NO.		SHEET NO.	
		SEE TABLE		SD-106030-XX00		1 OF 01	
THIS DRAWING CONTAINS INFORMATION THAT IS PROPRIETARY TO MOLEX INCORPORATED AND SHOULD NOT BE USED WITHOUT WRITTEN PERMISSION							