

Excellent Integrated System Limited

Stocking Distributor

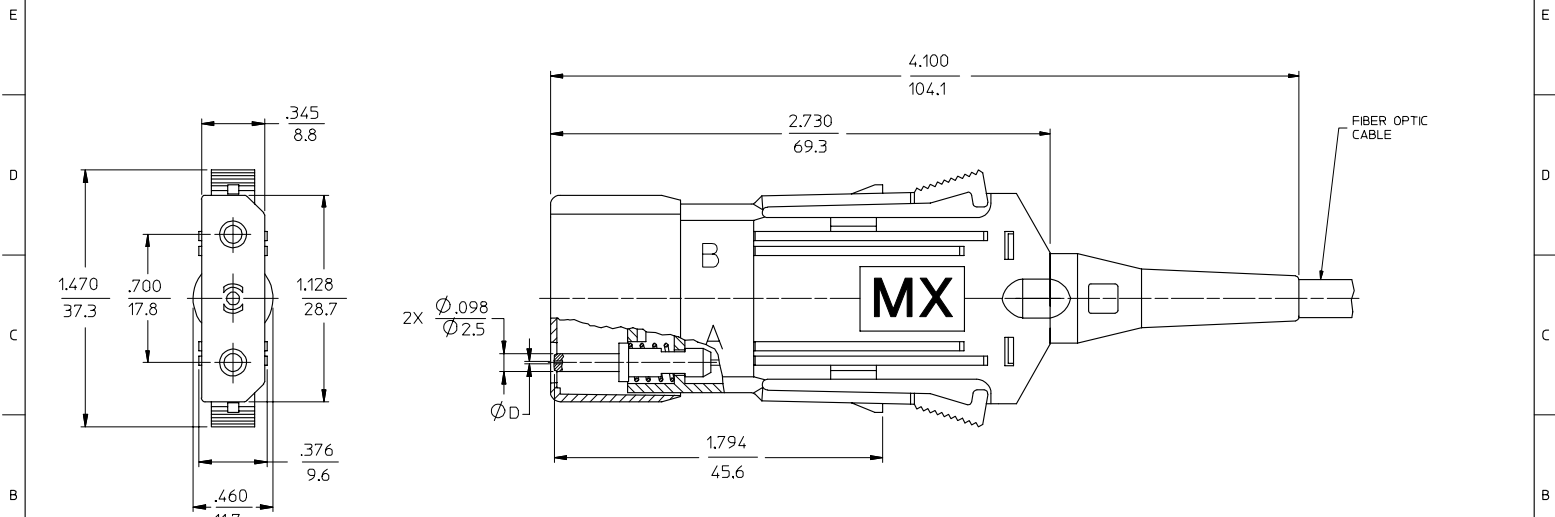
Click to view price, real time Inventory, Delivery & Lifecycle Information:

[Molex Connector Corporation](#)
[1060403200](#)

For any questions, you can email us directly:

sales@integrated-circuit.com

P/N of CONNECTOR	Ø D (4m)	MATERIAL of FERRULE	TYPE of CABLE
106040-0000	127	Zr PLUS	Ø 4.2 mm
106040-0100			Ø 4.8 mm
106040-0200			ZIPCORD
106040-3000	128	Zr	Ø 4.2 mm
106040-3100			Ø 4.8 mm
106040-3200			ZIPCORD



ENTER DESCRIPTION EC NO: ME2006-0283 DRAWN: PGIBLIN 2005/11/28 CHKD: 2005/11/28 APPR: GUMIN 2005/11/28	QUALITY SYMBOLS	GENERAL TOLERANCES (UNLESS SPECIFIED) <table border="1"> <tr> <th></th> <th>mm</th> <th>INCH</th> </tr> <tr> <td>4 PLACES</td> <td>± .---</td> <td>± .---</td> </tr> <tr> <td>3 PLACES</td> <td>± .---</td> <td>± .---</td> </tr> <tr> <td>2 PLACES</td> <td>± .---</td> <td>± .---</td> </tr> <tr> <td>1 PLACE</td> <td>± .---</td> <td>± .---</td> </tr> </table> ANGULAR ±1/2°		mm	INCH	4 PLACES	± .---	± .---	3 PLACES	± .---	± .---	2 PLACES	± .---	± .---	1 PLACE	± .---	± .---	DIMENSION STYLE IN/MM	SCALE 2:1	DESIGN UNITS INCH	THIRD ANGLE PROJECTION
			mm	INCH																	
	4 PLACES		± .---	± .---																	
	3 PLACES		± .---	± .---																	
2 PLACES	± .---	± .---																			
1 PLACE	± .---	± .---																			
DESCRIPTION	<table border="1"> <tr> <th>mm</th> <th>INCH</th> </tr> <tr> <td>4 PLACES</td> <td>± .---</td> </tr> <tr> <td>3 PLACES</td> <td>± .---</td> </tr> <tr> <td>2 PLACES</td> <td>± .---</td> </tr> <tr> <td>1 PLACE</td> <td>± .---</td> </tr> </table>	mm	INCH	4 PLACES	± .---	3 PLACES	± .---	2 PLACES	± .---	1 PLACE	± .---	DRAWN BY PGIBLIN	DATE 2005/10/26	TITLE ESCON CONNECTOR							
mm	INCH																				
4 PLACES	± .---																				
3 PLACES	± .---																				
2 PLACES	± .---																				
1 PLACE	± .---																				
REV	DRAFT WHERE APPLICABLE MUST REMAIN WITHIN DIMENSIONS	CHECKED BY	DATE	APPROVED BY	DATE	MATERIAL NO.															
A						MOLEX INCORPORATED DOCUMENT NO. SD-106040-XX00															