

Excellent Integrated System Limited

Stocking Distributor

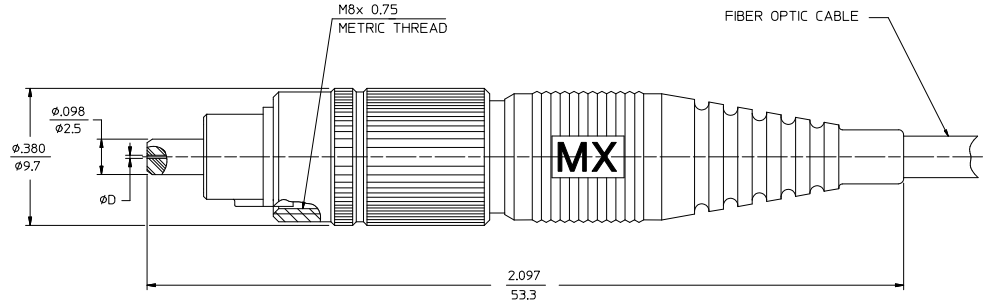
Click to view price, real time Inventory, Delivery & Lifecycle Information:

[Molex Connector Corporation](#)
[1060534000](#)

For any questions, you can email us directly:

sales@integrated-circuit.com

P/N OF FCII CONNECTOR	ØD (mm)	FERRULE MATERIAL	ROOT COLOR	CABLE DIAMETER	CABLE TYPE
106053-0000	127	Zr	BLACK	3mm	MULTIMODE
106053-0099		LOW COST Zr	BLACK		
106053-0020*		RED			
106053-0080	125.5	Zr	YELLOW		SINGLE MODE
106053-2000			BLACK		
106053-2070			RED		
106053-2080	128	Zr	BLACK		MULTIMODE
106053-3000			RED		
106053-3080			YELLOW		
106053-4000	125	Zr	BLACK		SINGLE MODE
106053-4070			RED		
106053-4080			YELLOW		
106053-5000	126	Zr	BLACK		
106053-5020*			RED		
106053-5070			YELLOW		
106053-5080	127	Zr	BLACK	MULTIMODE	
106053-7000			RED		
106053-7070			YELLOW		
106053-7080	126	Zr	BLACK	SINGLE MODE	
106053-5300			YELLOW		2.4mm



* P/Ns 106053-0020 AND 106053-5020 ARE BULK PACKED IN QUANTITIES OF 100 PCS.

ENTER DESCRIPTION EC NO: MF-2007-0707 DRAWN: KATARZENE 2006/08/22 CHKD: 2006/08/22 APPR: KATARZENE 2006/08/23	QUALITY SYMBOLS ▽=0 ▽=0	GENERAL TOLERANCES (UNLESS SPECIFIED)		DIMENSION STYLE IN/MM	SCALE 5:1	DESIGN UNITS INCH	THIRD ANGLE PROJECTION
		4 PLACES ± --- ± --- 3 PLACES ± --- ± --- 2 PLACES ± --- ± --- 1 PLACE ± --- ± ---	DRAWN BY: RPACIFIC1 DATE: 2005/12/22	TITLE FCII CONNECTOR			
		ANGULAR ± 1/2°	CHECKED BY: _____ DATE: _____	APPROVED BY _____ DATE: _____			
		DRAFT WHERE APPLICABLE MUST REMAIN WITHIN DIMENSIONS	MATERIAL NO. _____ SEE TABLE	MOLEX INCORPORATED	DOCUMENT NO. SD-106053-YYY0	SHEET NO. 1 OF 1	